

OWNER'S MANUAL

Serial No.

Date of Purchase

Travel Mate™ by AMIGO

➤ **COMPLETE AND RETURN
YOUR WARRANTY CARD**

➤ **DO NOT OPERATE YOUR
TRAVELMATE UNTIL YOU
HAVE COMPLETELY READ
THIS OWNER'S MANUAL**



1-877-BY-AMIGO
(1-877-292-6446)
www.travelscooters.com

AMIGO MOBILITY INTERNATIONAL, INC.

6693 Dixie Highway • Bridgeport, MI 48722 • 1-989-777-0910 • 1-800-821-2710 • FAX 1-989-777-8184 • www.myamigo.com

WELCOME	3
SAFETY FIRST	4
◆ SAFETY SUGGESTIONS	4
TRAVELMATE™ PARTS	5
• Handle	5
• Optional Accessories	5
GETTING DOWN TO BASICS	7
◆ ASSEMBLY INSTRUCTIONS	7
• Assembling Your TravelMate	7
• Handle Adjustment	7
• Folding and Unfolding Your TravelMate	7
Now It's Your Turn	
◆ OPERATING YOUR TRAVELMATE	8
• Handle Adjustment	8
• Driving Your TravelMate	8
• Moving Your TravelMate	8
• Transporting Your TravelMate	9
• Travel Kit	9
• Public Transportation	9
◆ HELPFUL HINTS FOR EVERYDAY USE	9
• Ramps and Inclines	9
• Using an Elevator, Opening Doors, Speed Controls	9
• Stopping & Keeping Your TravelMate Shining	9
• Battery Information and Charger Instructions	10
• Battery Storage	10
• Fuse Replacement	11
TRAVELMATE - A FRIEND FOR LIFE	11
◆ MAINTENANCE	11
• Daily, Monthly, Three Months, Six Months and Yearly	11
• Microprocessor Controller (MPC)	11
◆ SERVICE	11
• Battery Replacement	11
• Service & Assistance	11
WIRING DIAGRAM	12
ELECTROMAGNETIC INTERFERENCE INFORMATION	13
WARRANTY	14
• ASIC MPC (Controller) Diagnostic Code Chart	14

WELCOME

A new industry began in 1968, when Amigo revolutionized mobility for people with walking limitations. Amigo platform mobility aids quickly became a household name for their ease of operation and maneuverability. Ever since our first creation, Amigo has worked hard to bring comfort, freedom and satisfaction to our many thousands of customers.

In 1977, the United States Social Security Act was amended to include the Amigo platform mobility aid as an official medical mobility device, creating new opportunities for accessibility by Medicare clients across the nation. Worldwide, more people than ever are discovering the Amigo lifestyle.

Now, after serving customers like yourself for over 30 years, I'd like to take this opportunity to thank you for choosing the TravelMate. Our business will provide you with personalized and innovative electric mobility products and customer satisfaction, today and in the future.



Allan R. Thieme

Sincerely,
Allan R. Thieme
Chairman & Founder

.....

Welcome to the Amigo family of active and independent people. For thousands of individuals around the world, Amigo provides the opportunity to enjoy life more fully. We are confident that the following instructions and helpful hints will make your TravelMate™ an extremely useful and reliable "friend." Because we are concerned about your health and safety, please read this manual carefully before operating your TravelMate. When you learn how to use your TravelMate properly, you will discover a world of enjoyment and independence.

Please return your warranty card to receive *Friendly Wheels*, our magazine written especially for and about Amigo owners. *Friendly Wheels* will keep you informed about new products and accessories, helpful hints and service tips!

Please write us and include a photograph of yourself and your TravelMate. Your letters are a source of inspiration to us. As you use your TravelMate, be sure to share your helpful hints and operating suggestions with us so that we can pass them on to other owners. You can also e-mail us at travelmate@myamigo.com.



Wishing you happiness and good health from all of us at Amigo Company.

For your convenience and understanding, signal words are defined below:

⚠ DANGER

Danger is used to indicate the presence of a hazard which will cause severe personal injury, death or a substantial property damage if the warning is ignored.

⚠ WARNING

Warning is used to indicate the presence of a hazard which can cause severe personal injury, death or substantial property damage if the warning is ignored.

⚠ CAUTION

Caution is used to indicate the presence of a hazard which will or can cause minor personal injury or property damage if the warning is ignored.

Safety Suggestions

Use the following guidelines for the safe operation and use of your TravelMate. Should you have any questions about the safe operation of your TravelMate, please contact Amigo Mobility International, Inc. If you are in doubt about your ability to operate your TravelMate, consult your personal physician.

DO

- Do avoid sudden starts while the handle is turned sharply.
- Do drive slowly on uneven or wavy surfaces since the two front wheels may cause the handle to pull to the left and to the right.
- When driving over bumps, dips or inclines, do approach them at a 90-degree angle.
- When operating under low-light conditions, do equip the TravelMate with proper lighting (such as a clip-on bicycle light).
- Always turn the power switch OFF when stopped or transferring.

⚠ CAUTION

Turning the power switch OFF while in motion will bring the Amigo to an abrupt stop. This should be avoided.

DON'T

- Don't drive over or off obstacles more than 1 inch (2.5 cm) high. This could be unsafe and could damage your TravelMate.
- Don't operate on streets or other areas with vehicular traffic.
- Don't sit on the TravelMate in a moving vehicle.
- Don't expose your Amigo to spray-on cleaning solutions and excessive moisture such as spraying it with a garden hose, shower or leaving it uncovered in heavy rain.

Amigo Mobility International, Inc. (AMI) disclaims any responsibility for personal injury or property damage resulting from the improper or unsafe use of its products.

PERSONAL SAFETY INSTRUCTIONS!

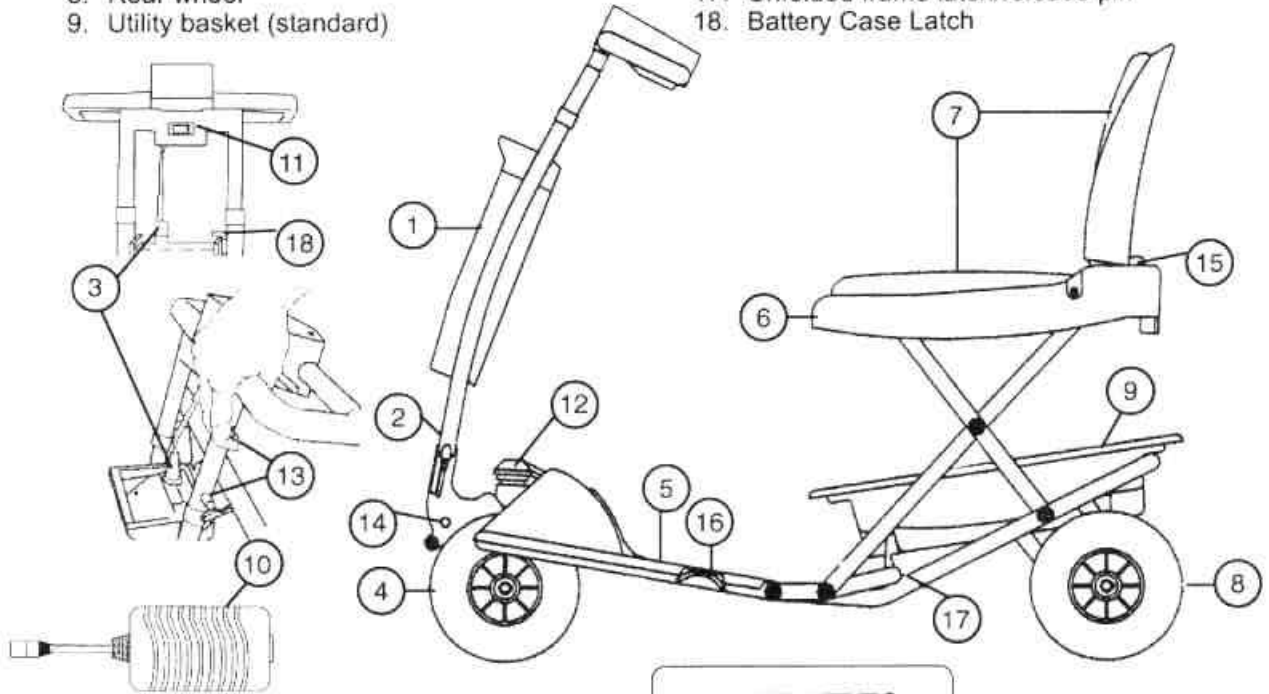
- Keep legs on the platform while driving the TravelMate.
- Drive slowly while turning and on inclines.
- Do not make sharp, abrupt turns at high speed or going down an incline.
- Drive straight up and down inclines.
- Do not park on inclines/declines.
- Always be careful when maneuvering on inclines or ramps. Not all ramps are constructed according to Federal standards. The Federal standard for wheelchair ramps is one inch (2.5 cm) rise per foot (30 cm).
- On uneven or wavy surfaces, it is necessary to drive slowly since the two front wheels may cause the handle to pull to the left and to the right.
- Do not back down inclines nor onto any changes in surface or grade.
- Your TravelMate is restricted to one occupant.
- Occupant must remain seated while the TravelMate is in operation.
- Operate the TravelMate with the handle in the "operating position" only.
- Maximum load capacity is 250 pounds (112.5 kg).

PARTS

TRAVELMATE PARTS

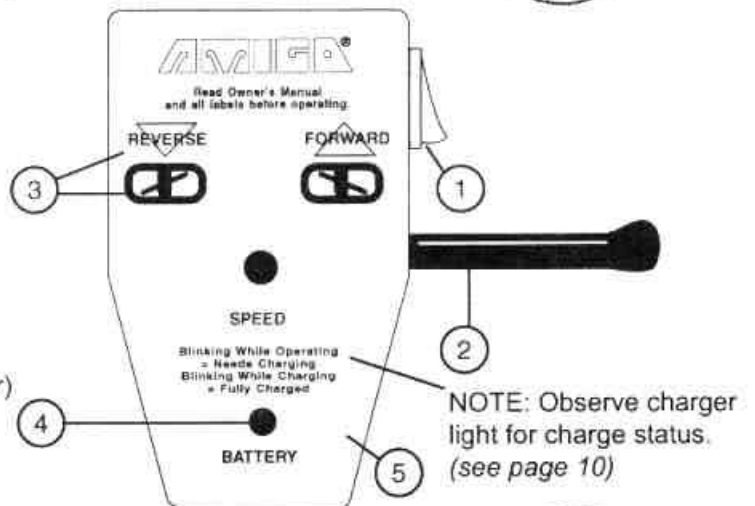
1. Battery case (detachable)
2. Front column (detachable)
3. Battery Power Connector
4. Front drive wheels
5. Foot platform
6. Seat shell
7. Seat cushions
8. Rear wheel
9. Utility basket (standard)

10. Charger and connecting cables
11. FreeWheel Switch
12. Rear frame connecting pin & quick release socket
13. Column latch/release trigger & frame latch
14. Column tilt latch
15. Folding Seat Latch
16. Folded frame latch/release pin
17. Unfolded frame latch/release pin
18. Battery Case Latch



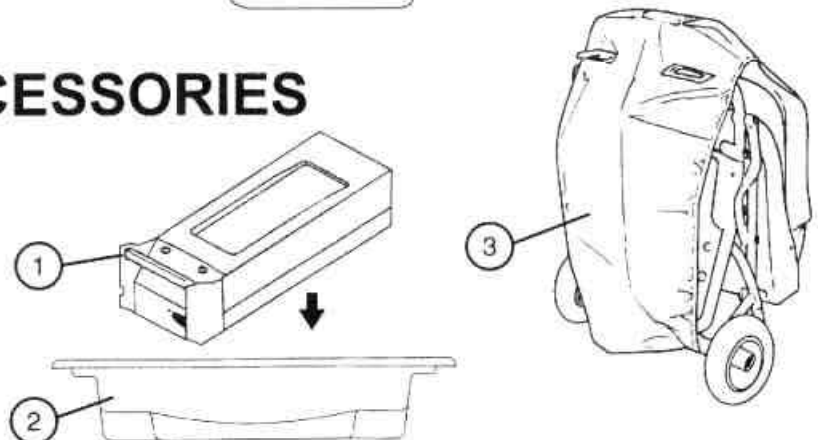
HANDLE

1. Power switch
2. Hand control lever (right and left)
3. Hand control lever icons
Reverse and Forward
directional icons
4. Battery indicator light (LED)
5. Handle control cover
(Contains Microprocessor Controller)



TRAVELMATE OPTIONAL ACCESSORIES

1. Extra battery pack
2. Utility basket (standard equipment)
(20 lbs./9 kg holding capacity)
3. TravelMate cover



INSTRUCTIONS

ASSEMBLING, FOLDING AND UNFOLDING YOUR TRAVELMATE

• UNFOLDING REAR FRAME

Pull on the folded frame latch pin ring (Latch A) to release the foot platform and unfold the frame. Release the seat backrest (Latch B) and lift to the upright position. Ensure that the unfolded platform latch pin (Latch D) secures the platform in the horizontal position.

• UNFOLDING FRONT COLUMN

Pull the column latch triggers (Latch C) upward towards the handle to release the tilt lock.

While holding upward on latch trigger (Latch C), rotate the column to the entry/exit position.

• DISCONNECTING FRONT COLUMN FROM THE REAR FRAME

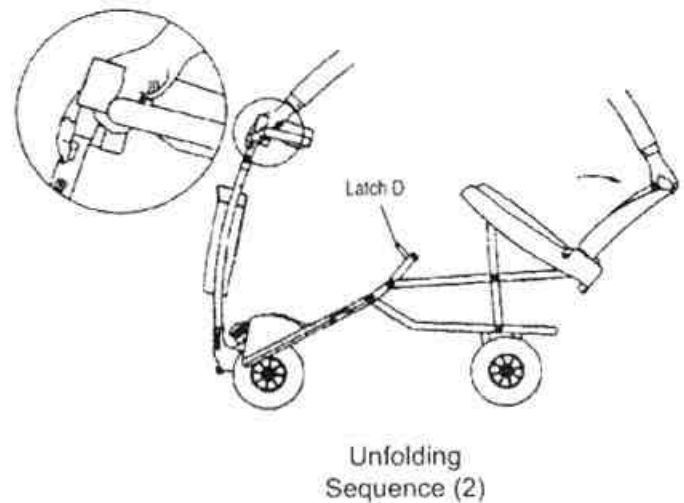
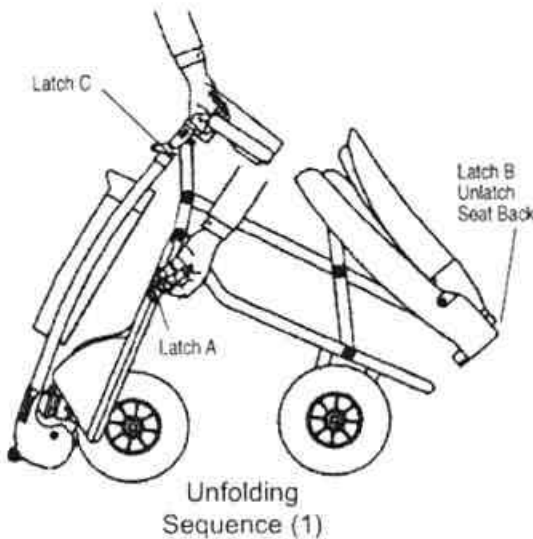
Pull the column latch trigger (Latch C) upward toward the handle to release the latch. Hold in this upward position & rotate the column to disassemble position shown.

Release the latch trigger and lift the rear frame pivot out of the column socket.

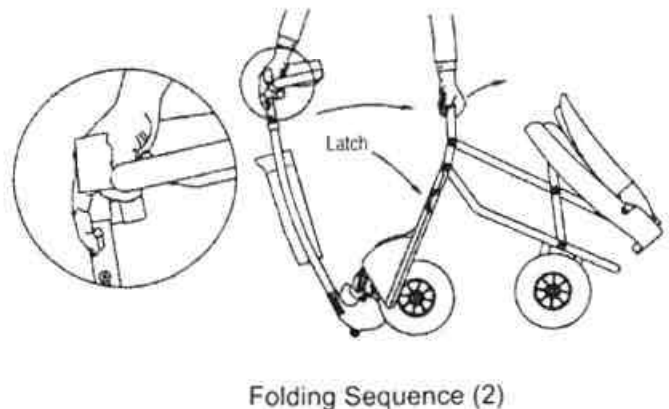
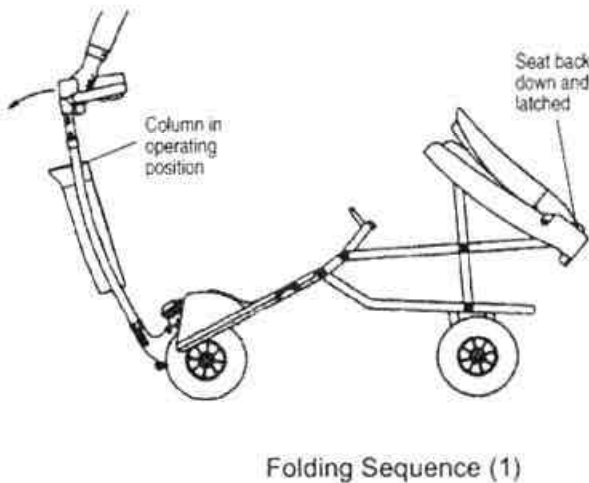
• CONNECTING THE FRONT COLUMN TO THE REAR FRAME

Position the column tilt mechanism in the "disassemble" position. Lift the front of the Foot platform and insert connection pin into the quick release housing on the drive unit (This can be done by lifting the front of the seat "lip").

• UNFOLDING



• FOLDING



⚠ CAUTION

Column tilt must be in Disassemble position to get proper insertion and latching of the frame to the column.

⚠ CAUTION

Ensure that the Battery Connector or a charger is connected to the Battery Case anytime the battery case is on the TravelMate.

• INSTALLING THE BATTERY CASE

Remove the battery power connector from its "nesting" hole. Set the battery case on the lower resting bar. Swing it onto the column ensuring that the latch (Figure A) engages the case slot full depth and that the latch seats itself on the case slot bottom.

⚠ CAUTION

Ensure the latch is fully engaged to avoid the battery case dislodging during operation or transporting.

Connect the battery power connector by aligning as shown & inserting.

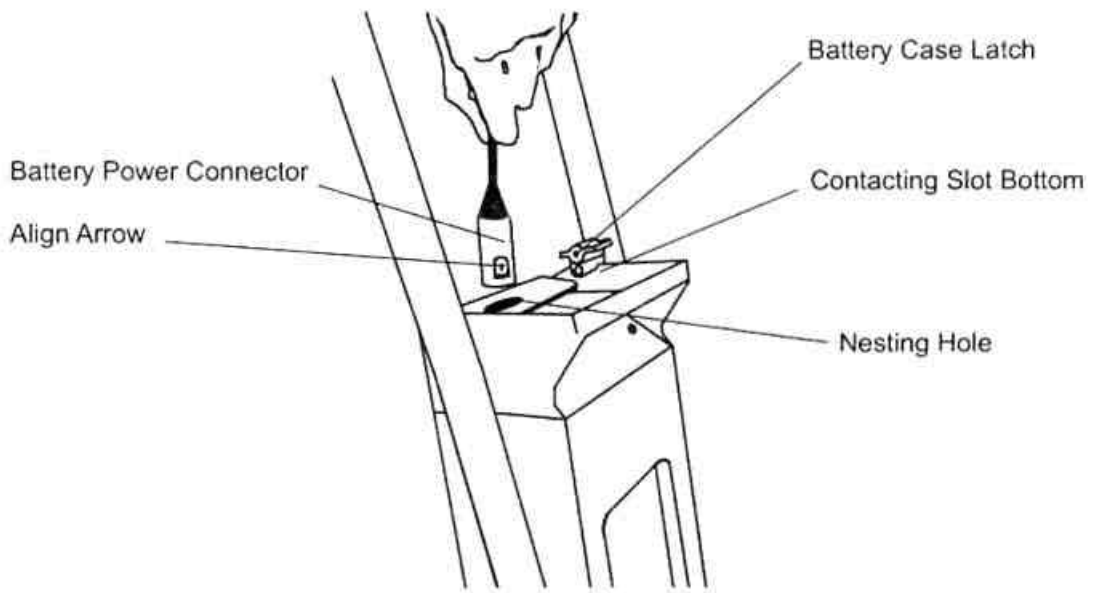
HANDLE ADJUSTMENT

To adjust the angle of the handle, pull the column latch triggers (Latch C) upward. Move the handle into the desired position and release. Push lightly back and forth on the upper column to ensure that it is locked in the desired position.

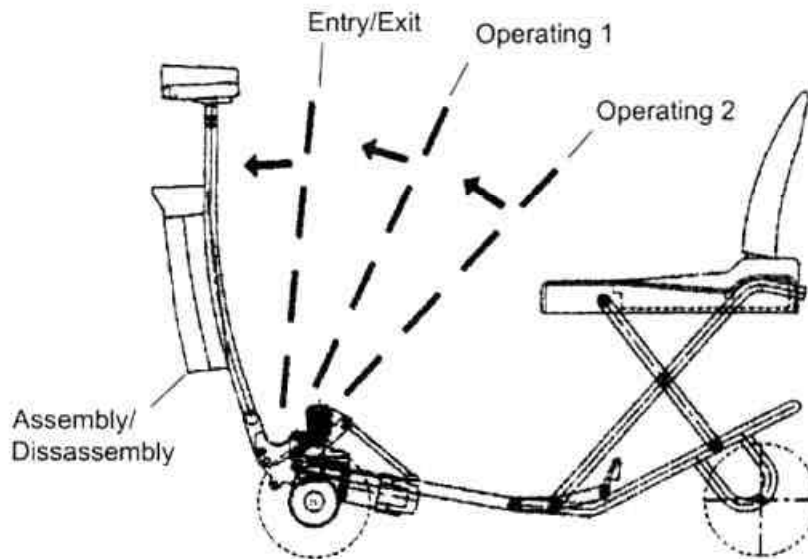
⚠ CAUTION

Do not lift the TravelMate column by battery case handle.

FIGURE A



• FRONT COLUMN (HANDLE) POSITIONS



OPERATING YOUR TRAVELMATE

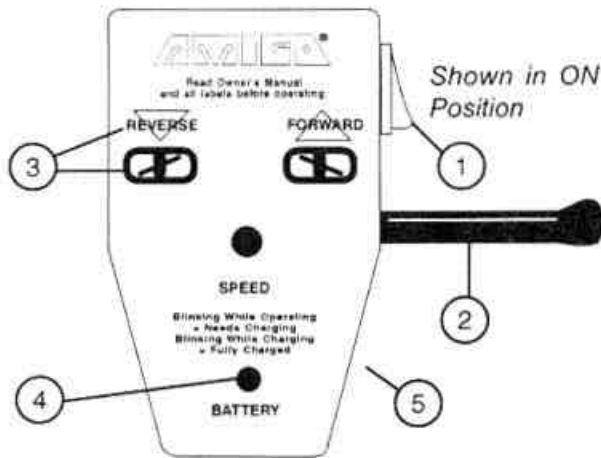
SPEED ADJUSTMENT HANDLE

1. Power Switch
2. Hand Control Lever (Left & Right)
3. Hand Control Lever Diagrams (Reverse & Forward Positions)
4. Battery Indicator Light (LED)
5. Handle Control Cover

• HANDLE

To set the column in the operating position, see "Handle Adjustment" on page 7.

Control Handle:



The power switch (No. 1), located on the right side of the handle control cover (No. 5), will turn the power of the TravelMate ON or OFF. Turning it OFF will prevent drainage of batteries and unauthorized use (the switch is shown in the ON position). Speed is controlled by how far the hand controller lever (No. 2) is pulled. Top speed is variable up to 3.7 mph/6 kph.

The Power Switch:

To turn power ON, push the raised end of the switch rocker to the ON position. The switch (No. 1) is on the right side of the control cover (No. 5).

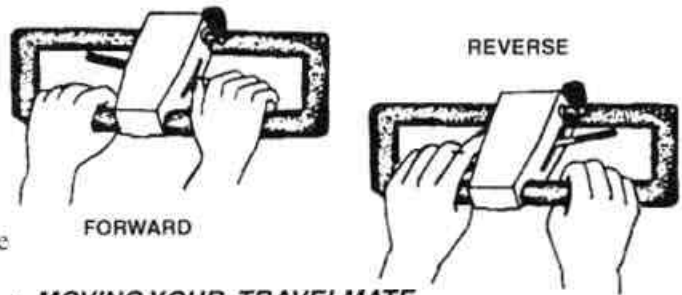
Note: Turning your TravelMate power switch to the OFF position when not in use is advised in order to conserve battery power.

Note: When the freewheel switch is in FREEWHEEL position and the power switch ON, the indicator light will flash 1-2 code. Turn power switch OFF, freewheel switch to DRIVE, then the power switch ON.

• DRIVING YOUR TRAVEL MATE

To move forward, pull the right side of the hand control lever toward you (see diagram below). You can also move forward by pushing the left side of the control lever away from you. By releasing the

control lever, you will come to a stop smoothly within three seconds after release. To operate in reverse, pull the left side of the hand control lever toward you or push the right side control lever away from you.



• MOVING YOUR TRAVELMATE

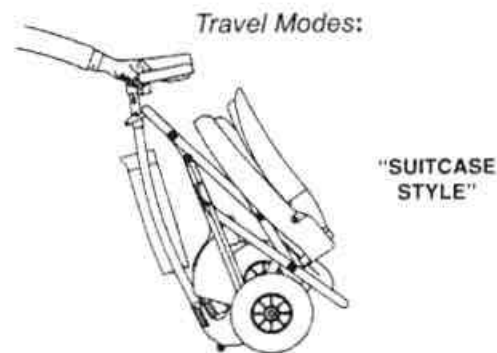
To manually move your TravelMate:

1. Turn the Power Switch to the OFF position.
2. The operator must dismount the TravelMate.
3. Place the freewheel switch in Freewheel Position.
4. Manually pull or push the TravelMate or... Adjust the TravelMate to one of the transport modes shown below.

⚠ CAUTION

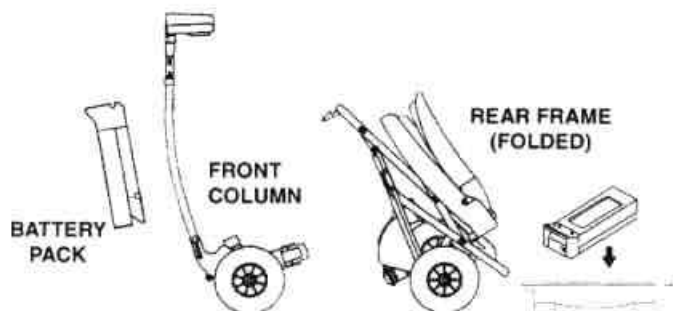
The seat back must remain in the upright position when moving or operating your TravelMate.

1. "Walking" the TravelMate suitcase style (folded with battery on column)

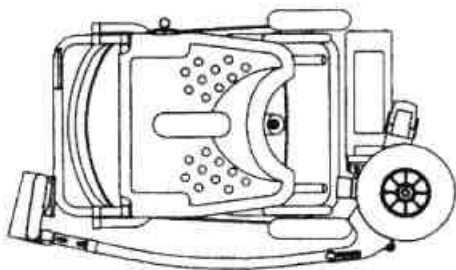


2. "Walking" the TravelMate with the battery disconnected (can be carried in the basket or in other hand)





3. Disconnected column, disconnected battery and folded frame for transportation.



4. Arrangement to fit into car trunk.

Note: We do not recommend using the TravelMate with elevated van lifts.

• TRANSPORTING YOUR TRAVELMATE QUICKLY AND EASILY

Your TravelMate can be disassembled and transported in most car trunks (See pages 8 - 9 for three compact modes to which your TravelMate can be transformed for transporting).

When disassembling for transporting or storage:

1. Place the column and drive assembly in its final storage location and in a stable position.
2. Place the battery pack assembly in its final storage location and in a stable position.
3. Now fold the frame.

• TRAVEL KIT

A Travel Kit and other related accessories are available from Amigo Mobility International, Inc. The kit contains three "Special Handling" tags and a "Helpful Hints for Travel" booklet. Nonspillable VRLA batteries are approved for travel on airplanes. Check out our myamigo.com website for copy of letter under frequently asked questions. When you make an airline reservation, notify the airline that you will be requesting an "escort" service. This will assure that your TravelMate will be picked up and delivered at the boarding gate. Global travelers see Battery and Charging Instructions for charging options.

• PUBLIC TRANSPORTATION

Some public transportation systems have accommodations for your TravelMate but you must transfer to a seat. When utilizing public transportation, do not sit on your TravelMate while it is being lifted onto the vehicle.

HELPFUL HINTS FOR EVERYDAY USE

⚠ WARNING

When transferring or not using the TravelMate, the POWER switch must be in the OFF position and the FREEWHEELING switch in the DRIVE position for safety.

⚠ WARNING

Do not use your TravelMate while taking a shower. Water may get into the microprocessor controller (MPC) and cause electronic malfunctions.

• RAMPS AND INCLINES

Lean forward and carefully maneuver your TravelMate up a ramp or incline. Be aware that not all ramps are constructed according to Federal standards. The Federal standard for wheelchair ramps is one inch (2.5 cm.) rise per foot (30 cm.)

• USING AN ELEVATOR

Backing into an elevator allows you to exit forward. Be sure that the elevator is level with the floor.

• OPENING DOORS

When a door opens toward you, approach at an angle and just off to one side. Grasp the door knob, reverse the TravelMate and pull the door open. For doors that open away from you, position the front roller against the door, close to the door jamb on the doorknob side of the door. After you release the latch, use the roller to push the door open.

⚠ WARNING

Be careful with glass doors to avoid personal injury!

• KEEP YOUR TRAVELMATE SHINING

Wipe the seat clean with a damp cloth. Protect the painted parts with a coat of auto wax.

⚠ WARNING

Excessive moisture around the microprocessor controller (MPC) or electrical connections may cause contamination of electrical circuitry, damage and malfunction as well as personal injury.

• SPEED CONTROLS

Always operate your TravelMate at a reasonable speed for both your personal safety and others. When traveling on rough or uneven surfaces, grip the steering handle firmly and reduce to an appropriate speed.

• STOPPING

Dynamic braking will gradually bring your TravelMate to a stop on a level surface. When stopped on an incline, use the hand control lever to maintain your position. Do not park or leave your TravelMate unattended on an incline.

• BATTERY INFORMATION AND CHARGER INSTRUCTIONS

Battery range depends on operator weight, terrain and type of battery used. Charge your batteries daily and/or overnight when the TravelMate is not in use.

The TravelMate is designed to use nonspillable, maintenance-free, 12V batteries. Always turn your TravelMate OFF before removing and installing batteries. **We recommend that your purchase an extra battery pack if used daily.**

For maximum range and life, it is recommended to fully charge the batteries before using. Reconnecting the charger when the batteries are partially discharged or fully charged will not harm them. Frequent extended charging is good for the batteries and will not overcharge them.

It is a popular misconception that batteries should be deeply discharged before recharging. This is not the proper procedure for all batteries. They can actually be damaged if they are discharged too deeply before recharging.

It is recommended that batteries stored for an extended time be connected to an operating charger. If more than one battery pack is stored connected to a charger, rotate them through the charger every two weeks. Be sure to observe storage and charging temperature ranges.

Level of Charge in Batteries:

When the battery indicator light on the handle starts to blink continuously while driving, the batteries should be charged soon.

Your battery indicator LED may blink prematurely when under a heavy power demand such as an incline. If it is premature, it will stop blinking when the unit is stopped, and the power switch is cycled to OFF and back ON. If this cycle does not stop the blinking, it is time to recharge. Recharging will take two to three hours depending on the level of discharge.

Charging Procedure for Batteries on TravelMates:

Disconnect the battery power connector from the battery case. Plug the small DC battery charge connector to the socket on the battery case. Plug the AC cord into the wall outlet. The charge cycle status is indicated by the battery indicator light (LED) on the charger. The LED will glow RED or YELLOW to indicate charging has started. The batteries are fully charged when the LED switches to GREEN.

The battery charger is designed to accept 90-240 volts AC power input. This makes it possible to charge on any electrical system globally.

• BATTERY STORAGE

Whenever a battery is charged and discharged through a cycle, it *breathes*. The breathing of the battery may emit minor acid fumes.

Note: When removing a battery, always set it on cardboard, newspaper, or surfaces that cannot be damaged by acid fumes or liquid. Store batteries indoors in a dry environment.

Storage temperature range:

-20° C (-4° F) to 40° C (104° F)

Charging temperature range:

0° C (32° F) to 40° C (104° F)

Operating temperature range:

-20° C (-4° F) to 50° C (122° F)

For battery maintenance, refer to the Maintenance Section.

⚠ CAUTION

Failure to follow these instructions may result in personal injury or property damage.

- 1) Refer to these instructions frequently.
- 2) Every time you use your charger, read and follow the instructions exactly. Working in the vicinity of a battery is dangerous. Batteries may emit explosive gases during normal battery operation.
- 3) Never smoke or allow an open flame in the vicinity of the batteries.
- 4) Use the charger for charging lead acid batteries only. It is not intended to supply power to an extra-low-voltage electrical system or to charge dry cell batteries.
- 5) Never charge a frozen battery.
- 6) Never place the charger directly above or below the battery being charged. Locate the charger as far away from the battery as the charging cord permits.
- 7) Do not operate the charger in a closed-in area or restrict ventilation in any way.
- 8) Disconnect the AC cord from the electrical outlet **before** disconnecting DC output charge cord.
- 9) A spark near the battery may cause an explosion. To reduce the risk of spark:
 - Prevent external damage to AC and DC cords.
 - Connect DC charging cord to the battery before connecting charger AC supply cord to the electrical outlet.
 - When disconnecting charger, always do so in reverse sequence of connecting procedure. Break the first connection as far away from the battery as practical.
- 10) Someone should be within range of your voice or close enough to come to your aid.
- 11) Be extra cautious not to drop a metal tool onto the battery case.
- 12) Remove jewelry.

TRAVELMATE - A FRIEND FOR LIFE

MAINTENANCE

Note: Metric and SAE tools and fasteners are required to service your TravelMate. Minimum maintenance should prevent unnecessary repairs. Check the following:

- **DAILY** - Charge your batteries daily when the TravelMate is not in use. Charge the batteries until fully charged to ensure proper battery operation.
- **MONTHLY**
 1. Ensure that the battery case latch and column latch/release trigger and frame latch slide up and down fully distance and freely inside the tube.
 2. Clean upholstery, plastic and metal parts with a mild surface cleaner.

⚠ CAUTION

Keep cleaning solvents away from electrical wires and connections.

- **THREE MONTHS**

1. Apply WD40 lubricant/cleaner to sliding parts inside the tube and cylinders of the following:
 - Battery case latch sliding bushing
 - Column latch/release trigger and frame latch sliding bushings.
 - Column tilt position latch pin and spring.
 - Frame folded and unfolded latch pins and springs.
 - Rear frame connecting pin, detent balls (six in socket) and column tilt pivot. Do not apply to two encased bearings.
2. Check and tighten any exposed fasteners.
3. Inspect inside the battery case, particularly at the bottom, for liquid.

- **YEARLY** - Have your authorized service center check your TravelMate.

- **MICROPROCESSOR CONTROLLER (MPC)** - Do not attempt to service the MPC or related electronic components as you will void your warranty.

The ASIC MPC has a built-in diagnostic feature that will cause the battery indicator light (LED) to flash a numeric code to indicate when there is a service problem. A continuously flashing LED light indicates different information (See page 14 for detailed information).

SERVICE

- **FUSE REPLACEMENT INSTRUCTIONS**

A fuse protects the wiring and battery in the event of a short circuit. If your TravelMate stops abruptly, check the fuse. If it has "blown," check for overloads or short circuits.

The fuse is located on the battery case rear cover. To replace the fuse:

- Remove the fuse from its socket. Inspect for continuity ("blown")
- if blown, replace with the same style and size (automotive style 20 AMP).

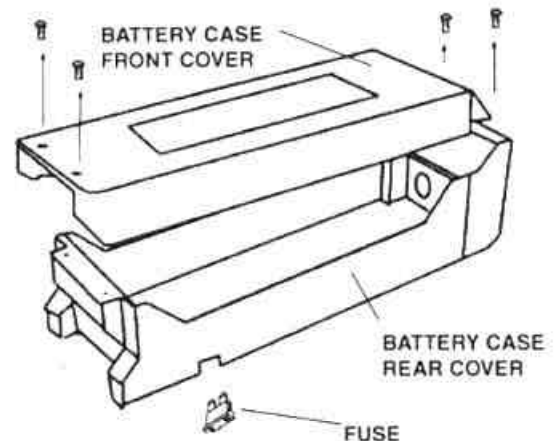
- **BATTERY REPLACEMENT**

Note: Replacement battery must meet passenger and cargo aircraft travel requirements.

- Remove four screws as shown and remove battery front cover.
- Remove the black wire from each battery.
- Lift each battery far enough to expose the red wire connection and remove it from each battery.
- Reverse this sequence to install batteries.

- **SERVICE ASSISTANCE**

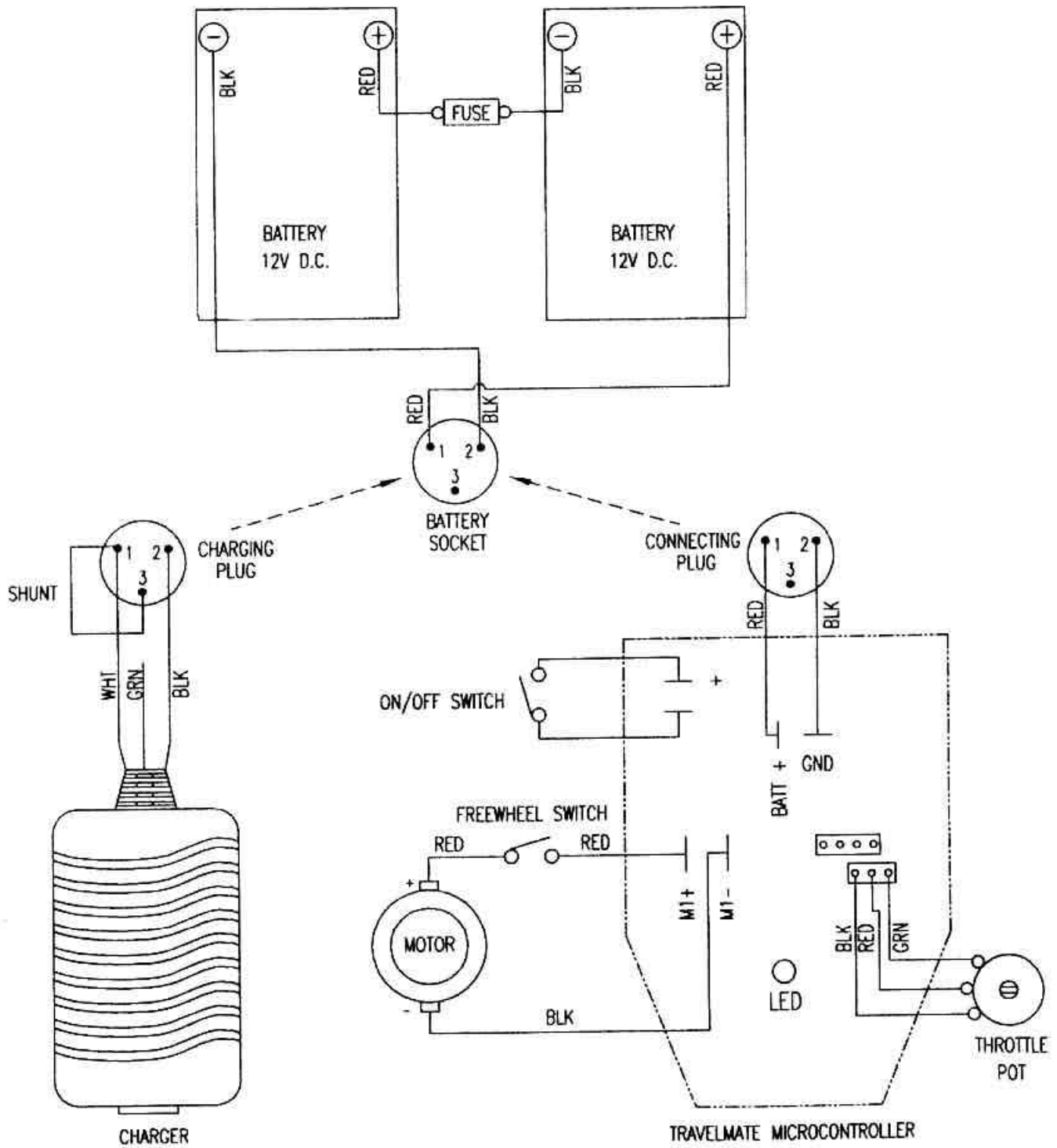
You will get years of dependable operation if you follow the suggested maintenance schedule. If you experience a problem and have to write in or call an authorized service center, be sure to provide your serial number; the numbers will help us provide efficient service. Call your local Amigo Wholesale Dealer or 1-800-248-9131 or International (989) 777-0910.



Note: When replacing fasteners, use only Grade 8 (US) or 12.9 DIN (metric) in all applications. For service and replacement parts, we recommend using Amigo authorized parts.

Your TravelMate Front Column Assembly and Frame Assembly are matched assemblies. Do not exchange them with other TravelMates.

WIRING DIAGRAM



Radio Wave and Electromagnetic Interference

Attachment A

WARNING: Radio wave sources may affect powered wheelchair or electric mobility products control.

Radio wave sources such as radio and TV stations, amateur radio (HAM) transmitters, two way radios and cellular telephones can affect powered wheelchairs and motorized scooters (in this text, both will be referred to as powered wheelchairs). Following the warnings listed below should reduce the chance of unintended brake release or powered wheelchair movement which could result in serious injury.

- 1) Do not turn ON hand-held personal communication devices such as citizens band (CB) radios and cellular telephones while the powered wheelchair is turned ON.
- 2) Be aware of nearby transmitters such as radio or TV stations and try to avoid coming close to them.
- 3) If unintended movement or brake release occurs, turn the powered wheelchair OFF as soon as it is safe.
- 4) Be aware that adding accessories or components or modifying the powered wheelchair, may make it more susceptible to interference from radio wave sources (**Note:** There is no easy way to evaluate their effect on the overall immunity of the powered wheelchair).
- 5) Report all incidents of unintended movement or brake release to the manufacturer and note whether there is a radio wave source nearby.

Important information

- 1) 20 volts per meter (V/m) is a generally achievable and useful immunity level against interference from radio wave sources (as of May 1994) (the higher the level, the greater the protection).
- 2) The immunity level of this product is not known.

CAUTION: It is very important that you read this information regarding the possible effects of electromagnetic interference on your powered wheelchair.

Electromagnetic Interference (EMI) from Radio Wave Sources.

Powered wheelchairs and motorized scooters (in this text, both will be referred to as powered wheelchairs) may be susceptible to electromagnetic interference (EMI), which is electromagnetic energy (EM) emitted from sources such as radio stations, amateur radio (HAM) transmitters, two way radios and cellular phones. The interference (from radio wave sources) can cause the powered wheelchair to release its brakes, move by itself or move in unintended directions. It can also permanently damage the powered wheelchair's control system. The intensity of the interfering EM energy can be measured in volts per meter (V/m). Each powered wheelchair can resist up to a certain intensity. This is called its "immunity level". The higher the level the greater the protection. At this time, current technology is capable of achieving at least a 20 V/m immunity level, which would provide useful protection from the more common sources of radiated EMI. The immunity level of this powered wheelchair model is not known.

There are a number of sources of relatively intense electromagnetic fields in the everyday environment. Some of these sources are obvious and easy to avoid. Others are not apparent and exposure is unavoidable. However, we believe that by following the warnings listed below, your

risk to EMI will be minimized.

The sources of radiated EMI can be broadly classified into three types:

- 1) Hand-held portable transceivers (transmitter/receivers) with antennae mounted directly on the transmitting unit. Examples include; citizens band (CB) radios, "walkie talkie", security, fire and police transceivers, cellular telephones and other personal communication devices.
Note: Some cellular telephones and similar devices transmit signals while they are ON, even when not being used.
- 2) Medium-range mobile transceivers such as those used in police cars, fire trucks, ambulances and taxis. These usually have the antenna mounted on the outside of the vehicle
- 3) Long-range transmitters and transceivers such as commercial broadcast transmitters (radio and TV broadcast antenna towers) and amateur (HAM) radios.
Note: Other types of hand-held devices such as cordless telephones, laptop computers, AM/FM radios, TV sets, CD players, cassette players, and small appliances such as electric shavers and hair-dryers, so far as we know, are not likely to cause EMI problems to your powered wheelchair.

Powered Wheelchair Electromagnetic Interference (EMI)

Because EM energy rapidly becomes more intense as one moves closer to the transmitting antenna (source), the EM fields from hand-held radio wave sources (transceivers) are of special concern. It is possible to bring high levels of EM energy very close to the powered wheelchair's control system while using these devices. This can affect the powered wheelchair's movement and braking. Therefore, the warnings listed below are recommended to prevent possible interference with the control system of the powered wheelchair.

Warnings

Electromagnetic interference (EMI) from sources such as radio and TV stations, amateur radio (HAM) transmitters, two way radios and cellular telephones can affect powered wheelchairs and motorized scooters (in this text, both will be referred to as powered wheelchairs). Following the warnings listed below should reduce the chance of unintended brake release or powered wheelchair movement which could result in serious injury.

- 1) Do not operate hand-held transceivers (transmitter/receivers), such as citizens band (CB) radios or turn ON personal communication devices such as cellular telephones while the powered wheelchair is turned ON.
- 2) Be aware of nearby transmitters such as radio or TV stations and try to avoid coming close to them.
- 3) If unintended movement or brake release occurs, turn the powered wheelchair OFF as soon as it is safe.
- 4) Be aware that adding accessories or components or modifying the powered wheelchair, may make it more susceptible to EMI (**Note:** There is no easy way to evaluate their effect on the overall immunity of the powered wheelchair).
- 5) Report all incidents of unintended movement or brake release to the manufacturer and note whether there is a source of EMI nearby.

Important Information

- 1) 20 volts per meter (V/m) is a generally achievable and useful immunity level against EMI (as of May 1994) (the higher the level, the greater the protection).
- 2) The immunity level of this product is not known.

WARRANTY

AMIGO MOBILITY INTERNATIONAL, INC. WARRANTY

Effective December 1, 1999

Amigo Mobility International (AMI, Inc.) warrants the original complete model to the original purchaser.

1. The control and charger systems are warranted against defects in material and workmanship for two (2) years.

Warranty exceptions:

Drive Assembly – operational noise (occurs due to abusive and excessive strain on the TravelMate).

Seats – Cuts, tears and surface damage.

Frame and Column – Paint surface damage is not covered.

2. The drive assembly is warranted against defects in material and workmanship for one (1) year.
3. Amigo warranties batteries supplied from its factory. Amigo factory supplied batteries carry Amigo labels. A six-month battery warranty from the date of purchase applies against the battery manufacturer's defects in material and workmanship. Damage caused by battery moisture, spillage or leakage is exclusive of warranty.
4. Remaining TravelMate components are warranted against defects in material and workmanship for one (1) year.
5. Weight restrictions: Use of this model by persons exceeding 250 lbs. (112.5 kg.) is not recommended and will not be warranted.
6. Labor is not included on warranty repairs, except where law prohibits. Items replaced by warranty on the model are covered by the original warranty. (Warranty replacement does not extend the warranty period.)

7. AMI, Inc. is obliged to repair or replace products or parts returned prepaid by the purchaser and found to be defective under warranty at its headquarters in Bridgeport, Michigan.
8. If inspection determines that a returned part or TravelMate is fully functional, it will be returned. If failure was due to abuse or wear, the warranty is void. Opening sealed units will void the warranty.

ASIC MPC DIAGNOSTIC CODE CHART

Under normal operating conditions, the battery indicator LED will flash continuously to indicate two different situations:

1. To indicate a low battery condition when driving.
2. To indicate that you have started the battery charging cycle (flash for 20 seconds).

The TravelMate is equipped with an ASIC MPC. This controller has a built-in diagnostic feature that will cause the battery indicator LED to flash a numeric code to indicate when there is a service problem.

When indicating a service problem, the battery indicator LED will flash, hesitate for a moment and then flash again. Follow the code listings below to determine the problem. If the code indicates a service problem, contact the Amigo Service Department at 1-800-248-9131 or international (989) 777-0910 for instructions to verify the problem.

CODE	CAUSE
1 - 1	E/M brake windings or connections are shorted.
1 - 2	E/M brake windings or connections are open.
2 - 1	Motor windings or connections are shorted.
2 - 2	Motor windings or connections are open.
3 - 1	MPC not limiting the electrical current to the motor.
3 - 3	MPC is not operating properly.
4 - 1	Charger is supplying too much voltage during the battery charge cycle.
4 - 2	Charger not dropping back into "float mode" during the battery charge cycle.
5 - 1	MPC regenerative braking FETS shorted.
5 - 3	Throttle potentiometer or throttle circuitry reading fail band fault.