

*Featuring:*

- **Amigo Centra A**
- **Amigo Centra B**
- **Amigo Deluxe**
- **Amigo IV Indoor**
- **Amigo IV Outdoor**

*U.S. and Foreign Patents Pending*



*Serial Number:*

---

*Date of Purchase:*

---

# AMIGO'S OWNER'S

# MANUAL



*Rear  
Wheel  
Drive*



<b>Welcome and First Things First</b> .....	2
<b>Safety First</b> .....	4
<b>Getting Down to Basics</b> .....	6
■ Assembly Instructions .....	7
<b>Now It's Your Turn</b> .....	12
■ Operating Your Amigo .....	14
■ Helpful Hints for Everyday Use .....	18
<b>Amigo, A Friend for Life</b> .....	21
■ Maintenance .....	22
■ Service .....	24
■ Warranties .....	25
<b>Amigo Centra A (Exploded View Diagrams)</b> .....	28
(Centra A Parts List) .....	30
<b>Amigo Centra B (Exploded View Diagrams)</b> .....	32
(Centra B Parts List) .....	34
<b>Amigo Deluxe (Exploded View Diagrams)</b> .....	36
(Deluxe Parts List) .....	38
<b>Amigo IV Indoor (Exploded View Diagrams)</b> .....	40
(Amigo IV Indoor Parts List) .....	42
<b>Amigo IV Outdoor (Exploded View Diagrams)</b> .....	44
(Amigo IV Outdoor Parts List) .....	46
<b>Brake Parts List (For All Models)</b> .....	48
<b>Wiring Diagrams (Amigo Centra A &amp; B)</b> .....	49
(Amigo Deluxe, Amigo IV Indoor & Amigo IV Outdoor) .....	50

# CONTENTS

# TABLE OF CONTENTS





Allan R. Thieme

W  
E  
L  
C  
O  
M  
E  
&  
W  
E  
L  
C  
O  
M  
E

**W**elcome to the Amigo family of active and independent people. For thousands of individuals around the world, the AMIGO provides the opportunity to enjoy life more fully. We are confident that the following instructions and helpful hints will make the Amigo an extremely useful and reliable "friend." Because we are concerned about your health and safety, please read this manual carefully before operating your Amigo. When you learn how to use the Amigo properly, you will discover a world of enjoyment and independence.

As a member of the Amigo family, you will receive the **Friendly Wheels**, our magazine written especially for and about Amigo owners, after you return your warranty card. The **Friendly Wheels** will keep you informed about new products and accessories, helpful hints and service tips!

Please write us and include a photograph of yourself and your Amigo. Your letters are a source of inspiration to us. As you use your Amigo, be sure to share your helpful hints and operating suggestions with us so we can pass them on to other owners.

Wishing you happiness and good health from all of us at Amigo Company.

Sincerely,  
**Allan R. Thieme**  
*President & Founder*

**FIRST  
THINGS FIRST**

- CHECK YOUR ORDER
- COMPLETE AND RETURN WARRANTY CARD
- DO NOT OPERATE YOUR AMIGO UNTIL YOU HAVE COMPLETELY READ THIS OWNER'S MANUAL
- REPAIR HOTLINE 1-800-248-9131

*For your convenience and understanding, signal words are defined below:*

**⚠ DANGER**

*Danger is used to indicate the presence of a hazard which **will** cause **severe** personal injury, death, or a substantial property damage if the warning is ignored.*

**⚠ WARNING**

*Warning is used to indicate the presence of a hazard which **can** cause **severe** personal injury, death, or substantial property damage if the warning is ignored.*

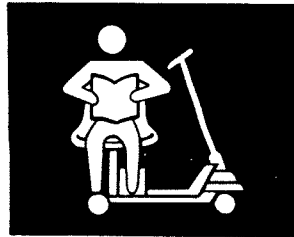
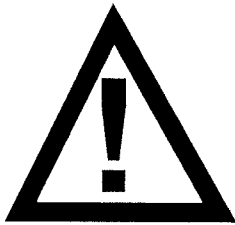
**⚠ CAUTION**

*Caution is used to indicate the presence of a hazard which **will** or **can** cause minor personal injury or property damage if the warning is ignored.*



*NOTICE: This book pertains to RWD Amigo models. Do not operate your Amigo until you have completely read this Owner's Manual.*

***Amigo Mobility International, Inc. (AMI) disclaims any responsibility for personal injury or property damage resulting from the improper or unsafe use of its products.***



# Safety Suggestions

Use the following rules as guidelines for the safe operation and use of your Amigo. Should you have any questions about the safe operation or use of your Amigo, please contact AMI. If you are in doubt about your ability to operate your Amigo, consult your personal physician.

**SAFETY**

**FIRST**

## PERSONAL SAFETY INSTRUCTIONS!

- *Keep legs on the platform while driving the Amigo.*
- *Drive slowly while turning and on inclines.*
- *Drive straight up and down inclines.*
- *Do not park on inclines/declines.*
- *Your Amigo is restricted to one occupant.*
- *Occupant must remain seated while Amigo is in operation.*
- *Lock seat in forward position before operating Amigo.*
- *Maximum load capacity is 350 pounds (157.5 kg).*
- *Armrests and handlebar must be in riding position while operating your Amigo.*

- Make sure the batteries are held securely in place.
- Use dual wheels for added stability (Applies to **AMIGO DELUXE** model only).
- Do not drive over or off obstacles more than 1 inch (2.54 cm) high. This could be unsafe and could damage your Amigo.
- Do not make sharp, abrupt turns at high speeds or going down an incline.
- Avoid sudden starts while the handlebar is turned sharply.
- Avoid inclines or ramps having a rise of more than 1 inch (2.54 cm) per foot (meter) (Federal standard for wheelchair ramps).
- Do not operate on streets or other areas with vehicular traffic.
- When driving over bumps, dips or inclines, approach them at a 90-degree angle.
- Do not back onto any changes in the surface or grade.
- Do not sit on the Amigo in a moving vehicle.
- When operating under low light conditions, the user should equip the Amigo with proper lighting.
- Operate your Amigo only when the power seat lift is in its lowest position.
- When stopped or transferring, always turn the key switch OFF (on **AMIGO DELUXE** or **AMIGO IV**).

**⚠ CAUTION**

*Turning the key "OFF" while in motion will bring the Amigo to an abrupt stop.*

- **TO STOP IN EMERGENCY SITUATIONS ONLY, USE THE SAFETY BRAKE. To disengage the brake, reverse the direction of your Amigo.**  
*Note: Repeated use of the safety brake will result in excessive tire wear.*

**⚠ CAUTION**

*Do not use a garden hose to clean your tires. Water may get into the controller and cause electronic malfunctions.*

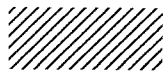
- When transferring off your Amigo, make sure the seat lock is in the locked position.
- To transport the Amigo, **DO NOT** remove handle from steering column. Instead, loosen the knob near the bottom of the handle so you can fold the handle down to the base. Place handle down so that the membrane switch will not become damaged. Tighten the knob to secure the handle.
- When utilizing public transportation, do not sit on your Amigo while it is being lifted onto the vehicle. Where this is not possible, a proper hold-down system should be provided.

*The Quik-Stop™ Safety Brake is equipped on the Centra, Deluxe and Amigo IV. It overrides the electrical system to allow you to manually stop in case of emergency. See page 20 for instructions.*



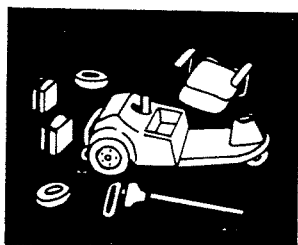


GETTING  
GETTING



# DOWN TO BASICS

- **ASSEMBLY INSTRUCTIONS**
  - Handle
  - Seat Installation
  - Seat Positioning
  - Dual Wheels
- **BATTERY INFORMATION AND CHARGER INSTRUCTIONS**
  - Battery Maintenance
  - General Maintenance
  - Gel Cell Batteries
  - Quick Battery Recharging Instructions
  - Battery Charger Troubleshooting
- **CIRCUIT BREAKER AND FUSE REPLACEMENT INSTRUCTIONS**
  - Battery Storage



# Assembly Instructions

---

---

## • HANDLE ADJUSTMENT

To adjust the angle of the handle, loosen the lower knob to separate the meshed teeth. Move the handle into the desired position and tighten the knob (Figure 1).

**Telescopic Handle:** The Amigo telescopic handle can be adjusted from 19 inches (48.26 cm) to 23 inches (58.42 cm). It is factory set to 23 inches (58.42 cm). If adjustment is needed, please see your local Amigo Dealer or call Amigo Mobility International, Inc. ***This option is not available for the Amigo Centra.***

## • SEAT INSTALLATION

1. Unlock the seat lock.
2. Insert the upper seat post into the opening of the lower seat post.

3. Spin seat around to make sure it rotates freely.
4. To lock the seat, pull the seat lock lever toward the rear of the seat.

*Note: The following information pertains to Amigos that **do not** have a power seat lift.*

To raise or lower your seat height, remove the nut and bolt that holds the seat collar in place on the seat post, then adjust and reinstall in one of the holes on the seat post.

### **CAUTION**

*It is recommended that the seat lock be installed in the second or third hole positioned from the seat. If you desire to put your seat higher than this, you must have stability wheels or dual wheels on your Amigo.*

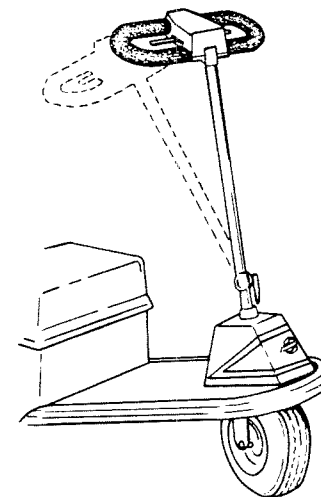
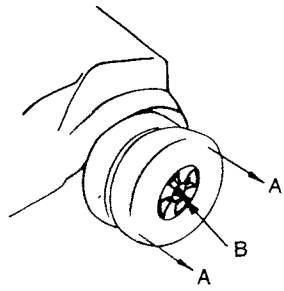


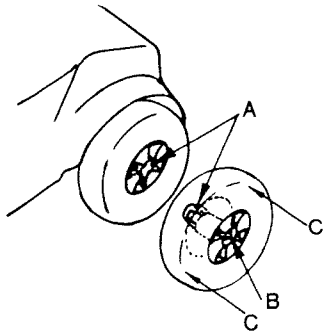
Figure 1





- A. Pull
- B. Press the button on the quick release pin.

Figure 2



- A. Align lugs on the dual wheel insert with lugs on the drive wheel insert.
- B. Press the button on the quick release pin.
- C. Push the wheels together until the quick release pin snaps out.

Figure 3

## • SEAT POSITIONING

For comfort and convenience, the seat can be moved closer to or away from the handle. The rear housing must be removed and the lower seat post must be reversed (Two different sets of mounting holes in the platform are used). It will move the post approximately 3 inches (7.62 cm) to the front or rear, depending on the direction it is turned.

## • DUAL & STABILITY WHEELS

### AMIGO CENTRA A and B

Front stability wheel attachments provide additional stability and are required for use on rough or uneven surfaces. The stability attachment mounted below the base just behind the front wheel should not be removed. It offers increased stability without making your Amigo wider.

### **⚠ CAUTION**

*Do not drive at full speed into any fixed obstacles or objects as this may cause cracking of the base or damage to the stability wheel attachment.*

## AMIGO DELUXE:

Dual wheels provide additional stability and are required on rough or uneven surfaces.

### *Removal of Dual Wheels :*

Dual wheels on the Deluxe can be removed indoors for greater maneuverability in narrow areas.

Please refer to Figure 2 for the following:

Grasp the outer wheel with both hands while depressing the small button at the center of the quick release pin with your thumb. Pull the wheel toward you to remove.

### *Installation of Dual Wheels :*

Please refer to Figure 3 for the following:

1. Depress button in the quick release pin in the center of the outer dual wheel. Holding the dual wheel and pin, bring it toward the drive wheel.
2. Guide the bore coupling into the center hole of the inner drive wheel.
3. Turn the outer wheel so that the

bore coupling grooves line up with the grooves in the coupling on the drive wheel.

4. Push the outer wheel in until the button of the quick release pin snaps out and the wheel cannot turn in either direction separate from the inner wheel.
5. Make sure the wheel is securely attached. Try to pull out the dual wheel to insure it will not come off.

*NOTE: To ease the removal and installation of the Dual Wheels (without the occupant), tilt the AMIGO DELUXE to either side.*

## • BATTERY INFORMATION AND CHARGER INSTRUCTIONS

### **ATTENTION**

*Your batteries have been placed backwards in the battery holder for safety during shipping. You will have to pull them out, turn them around and put them back in the battery holder to operate your Amigo.*

Spill-proof and maintenance-free, 12-volt

batteries have been supplied. *Always turn your Amigo OFF before removing and installing batteries.*

For maximum range and life, it is recommended to fully charge the batteries before using. Extended charging is good for the batteries. The batteries will not overcharge.

It is a popular misconception that batteries should be deeply discharged before recharging. This is not the proper procedure for batteries. They can actually be damaged if they are discharged too deeply before recharging.

Charge your batteries daily when the Amigo is used.

### **AMIGO DELUXE and AMIGO IV:**

A sophisticated battery indicator and battery diagnostic system are incorporated into the touch panel of your Amigo. The battery icon LED will be lit whenever the key is in the "ON" position. However, if the Amigo is inactive for more than twenty-three minutes, the power is automatically turned off. To reactivate your Amigo, switch it "OFF" and then "ON" again to regain full function. This feature will conserve battery power so you do not have

## **Universal Charger Option**

*A Universal Charger is available on many Amigos sold outside the United States. The Universal Charger uses a range of 90-240 volts AC power input. This makes it possible to charge on any electrical system globally. (The Universal Charger is an option on models in the US for people who travel abroad and want this universal charging flexibility.)*

*Your charger is labeled identifying which charging system it uses.*

### **⚠ CAUTION**

**Do not use a 24-volt charger that is configured to a 120-volt AC power input outside the US in countries using 220-volt AC power input. Damage will occur to the charger.**

to remember to switch your power off when your Amigo is idling or inactive for extended periods of time.

*Charging Procedure for Batteries on the Amigo Deluxe and Amigo IV:*

The battery status gauge, in the middle of the touch panel, indicates the amount of battery charge. When the tallest segment bar on the battery icon is lit and blinking, your batteries are fully charged. If the shortest battery capacity LED segment is "ON" and it flashes, along with a low chirping of the horn at one minute intervals, batteries should be charged soon.

To charge your batteries, place your Amigo near an AC outlet. Pull gently on the plug in the rear cover near the rear bumper. Pull as much cord as needed (up to 12 feet/3.64 meters) to reach to the AC outlet. Connect the reel cord plug to the outlet. Observe the illuminated bar on the battery icon LED. It will drop down to the shortest segment on the far left and blink. Gradually the lights will move to the taller bars as the battery charge increases.

The batteries are fully charged when the tallest bar on the far right is blinking. Your Amigo can be charged with the key in the "ON"

or "OFF" position; however, it cannot be driven during charging.

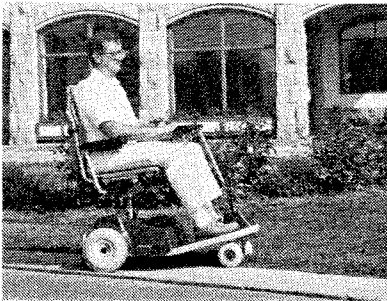
**CENTRA A and B:**

When the red light on the handle glows, the power switch is "ON."

*Charging Procedure for Batteries on the Centra A and B:*

Park near an AC outlet. Connect the AC charging cord to the socket in the rear cover near the rear bumper and the other end to the wall outlet. Observe the LED light on the handle control panel. As soon as the charger is plugged in and the batteries are in the charging mode, the LED light will blink for a short period of time (approximately 20 seconds) and then glow continuously until the batteries are fully charged, then the red light will flash. While in the charging mode, your Amigo cannot be driven.

The charging cycle is completed and your batteries are fully charged when the LED light is blinking while still in the charging mode.



### Battery Diagnostic System on Amigo Deluxe and Amigo IV:

Two small circular lights, on each side of the battery icon, will illuminate only if the left or right battery is defective and unable to maintain a desirable charge. This indication will display only while in the charging mode (when power cord is plugged into AC outlet).

### Battery Maintenance:

See page 22 in the Maintenance Section.

### **⚠ CAUTION**

*Make sure that the wall cord is unplugged from the wall outlet before moving your Amigo.*

## • **CIRCUIT BREAKER & FUSE REPLACEMENT INSTRUCTIONS**

A circuit breaker protects the wiring and battery in the event of a short circuit. If your Amigo stops, check for overloads or short circuits before continuing to operate.

### **AMIGO CENTRA A and B, AMIGO DELUXE and AMIGO IV:**

The circuit breaker is under the rear housing and attached to the positive terminal in front of the battery holder (Figure 4).

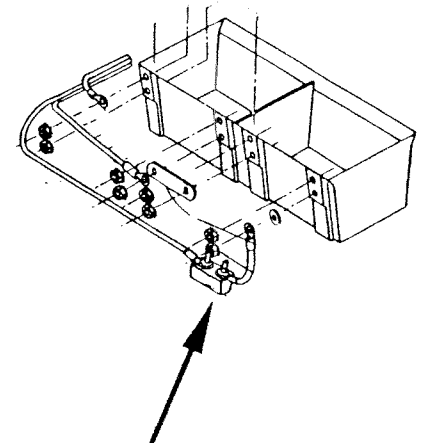
## **SERVICING YOUR OPTIONAL LIGHTING PACKAGE:**

1. Remove the batteries.
2. Check for blown fuses. If a fuse is blown, pop it out and replace it.
3. Check for loose wires, and reconnect them if necessary.
4. Replace the batteries.

## • **BATTERY STORAGE**

If you remove your batteries from your Amigo, put them on a surface that cannot be damaged by acid fumes. Whenever a battery is charged and discharged through a cycle, it breathes. The breathing of the battery emits acid fumes into the cloth strap that may mark surfaces it rests on for long periods of time.

**If you are having any further problems, contact your Amigo Service Representative.**

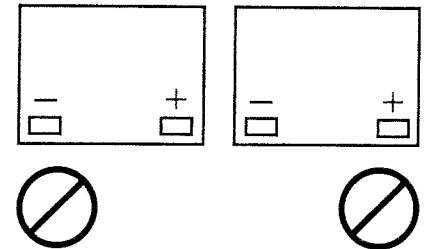


Circuit Breaker

Figure 4

### **⚠ WARNING**

*To avoid damage to batteries during storage, DO NOT place them end to end with positive (+) and negative (-) terminals next to each other.*





**NOW**

**IT'S  
YOUR TURN**

■ **OPERATING  
YOUR  
AMIGO**

- Handle Adjustments
- Driving Your Amigo
- Manual Pushing
- Power Seat Lift  
Operation - Optional
- Power Seat Lift  
Maintenance
- Optional Equipment
- Transporting  
Your Amigo
- Airplane Travel
- Ground Travel

■ **HELPFUL  
HINTS FOR  
EVERYDAY USE**

- Bathroom
- Bedroom
- Kitchen
- Car
- Inclines  
and Ramps
- Using An Elevator
- Opening Doors
- Keep Your  
Amigo Shining
- Speed Controls
- Stopping



# Operating Your Amigo

## • HANDLE

To adjust the position of your handle controls, see page 7.

### AMIGO CENTRA A and B:

Controls include: (See Figure 5) Top speed limiting dial, key lock and battery indicator light. The key lock, on the right side of the control box, will turn the power ON or OFF. The top speed may be adjusted with the knob in the middle of the control panel (See Figure 11). By turning this knob to the HI position your Amigo can drive up to 4.5 miles per hour (7.25 kph). When the knob is set to LO position, the speed will be reduced to a slow creep, ideal for less experienced drivers and operating indoors.

### AMIGO DELUXE and AMIGO IV:

The controls include: maximum speed dial, key lock, power seat lift, headlight, directional lights, horn, electromagnetic brake and a battery indicator (See Figure 6).

### THE KEY LOCK

To turn power ON insert the key and turn it counterclockwise to ON position. The key lock is on the right side of the membrane enclosure box (See Figure 7). When the power is ON, the battery and speed indicator displays will light up showing the level of charge contained in your battery and the last recorded speed setting prior to the unit being powered down. Your Amigo will automatically shut itself OFF

Top View of Handle

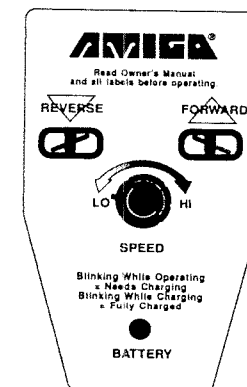


Figure 5

Membrane Switch

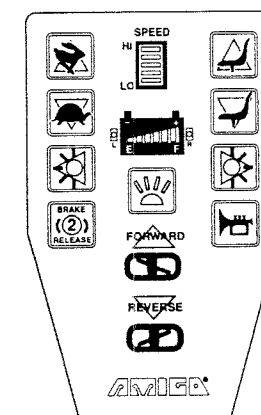


Figure 6

Key Lock

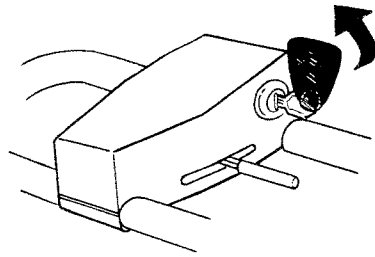


Figure 7

Rabbit & Turtle Switches



Figure 8

HI LO Speed Gauge

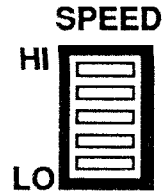


Figure 9

Horn



Figure 10

Centra Speed Knob

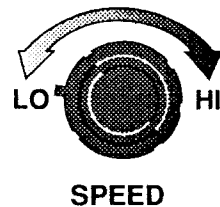
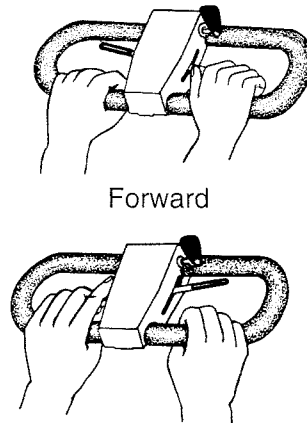


Figure 11

Handle Positions



Forward

Reverse

Figure 12

after about 23 minutes of inactivity. To reactivate your Amigo, switch the key lock OFF and then ON. This feature prevents battery drainage.

### TOP SPEED

Regulate your maximum speed with the rabbit and turtle switches or speed knob (See Figure 8). To increase your top speed (up to 4 mph/6.44 kph on the Amigo IV and 4.5 mph/7.25 kph on the Amigo Deluxe), press the rabbit button. To lower the top speed, press the turtle button. Each segment in the speed gauge corresponds with approximately 15 to 20 percent of the maximum speed. Every time a button on the membrane switch is activated, you will hear a "chirp." The speed setting has approximately 200 possible increments (See Figure 9), so you may have to press the turtle or rabbit button several times to see a change in the gauge. Reduction of top speed does not noticeably reduce power of your motor (only on PMAs with the membrane switch panel). An audio signal indicates highest and lowest speed settings.

### HORN

The horn button can be used to avoid confrontation with pedestrian or other vehicles (See Figure 10).

## • DRIVING YOUR AMIGO

To move forward, pull the right side of the hand control lever toward you (See Figure 12). You can also move forward by pushing the left side of the control lever away from you. By releasing the control lever, you will come to a stop approximately one second after release. To operate in reverse, pull the left side of the hand control lever toward you, or push the right side control lever away from you.

## • MANUAL PUSHING

For safety and security, your Amigo is equipped with an electromagnetic brake which makes pushing your Amigo almost impossible. On the Amigo Deluxe and Amigo IV, the electromagnetic brake can be released *manually* by pushing forward the brake lever in the back of the rear cover, or *electronically* by pressing twice on the brake release button on the membrane switch (See Figure 13). When your Amigo is in the freewheeling mode, the low speed segment will blink and it can be pushed freely. The Centra is only equipped with a manual freewheeling lever in the back of the rear cover. With the manual brake release the freewheeling mode can be terminated by using the brake lever towards the rear of the Amigo.

### On Amigos Equipped With Electromagnetic Releases:

The freewheeling mode will last until some other function on the membrane is activated (with the exception of the horn switch) or the throttle lever is moved from its resting position.

## • POWER SEAT LIFT OPERATION –

(Optional)

The power seat lift adjusts the seat between 18 and 23 inches (45.72 cm and 58.42 cm) from the floor. Seat must be in lowest position when the Amigo is in motion.

### AMIGO CENTRA A and B:

Move the lift switch located under the seat up or down to raise or lower it.

### AMIGO DELUXE and AMIGO IV:

To operate the power seat lift use seat/arrow buttons pictured (See Figure 14). To lift the seat to desired height, press the top button with the seat icon. To lower the seat, press the seat button with the arrow pointing down. The power seat lift can be activated only when you are not moving.

Brake Release

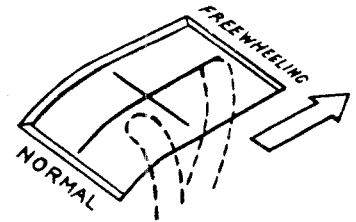


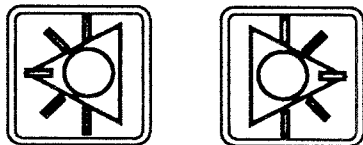
Figure 13

Seat Lift



Figure 14





Headlight & Taillight  
Switches

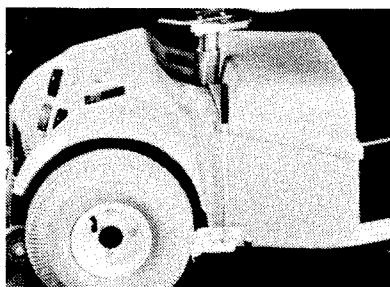
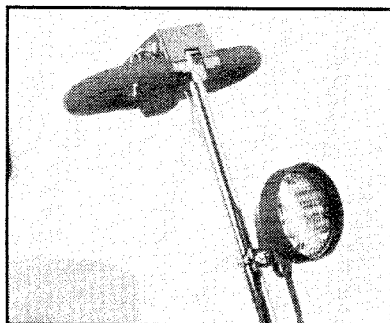


Figure 15

## • POWER SEAT LIFT MAINTENANCE

Approximately every 1 to 2 months, remove the seat and activate seat lift to the highest position. Using a dry cloth, wipe inner tube of accumulated grease and dirt. Then, apply a very thin coating of grease to inner tube, except for the top inch of the tube.

*Note: A tube of grease has been supplied. White Lithium grease is recommended and can be purchased at your local hardware store.*

## • OPTIONAL EQUIPMENT

### AMIGO DELUXE and AMIGO IV:

The lighting package includes a front headlight mounted on the handle and rear red and yellow lights. The red operational lights and the front light can be activated by pressing the headlight switch. Press this switch again to turn the lights off.

The rear turn signal light can be activated by pressing the left or right turn signal buttons. Indicate a "hazard" condition by pressing

both turn signals. The power must be ON to operate the lights (Figure 15).

## • MANUALLY TRANSPORTING YOUR AMIGO

Your Amigo can be disassembled and transported in most car trunks (Figure 16).

1. Turn OFF your Amigo.
2. Unlock the seat and remove it completely.
3. Remove the batteries.
4. Fold handle down to platform (See page 7).
5. Lift the rear into the trunk of the vehicle and slide the Amigo into the trunk.

*Note: When batteries are removed, the wheels will not rotate for safety purposes.*

6. Place seat and batteries into the trunk.

*Note: For proper battery storage, see page 11.*

7. If your Amigo has a power seat lift, we suggest placing a cut out tennis ball or something similar over the seat post to protect it. If you leave the batteries connected, make sure the

lift cannot be accidentally activated. The electromagnetic brake must be in the “normal” position.

## • LOAD YOUR AMIGO INTO YOUR CAR WITH A LIFT•ALL®

*Note: For greater convenience, obtain a Lift•All® to assist you when loading and unloading. For more information on the Lift•All®, contact your local Amigo Mobility Center® or call toll-free: 1-800-248-9131. For your safety, use hold-down systems to secure your Amigo during transport. We do not recommend using the Amigo with elevated van lifts.*

## • AIRPLANE TRAVEL

An Airline Travel Kit (Item #300116) is available from Amigo Mobility International, Inc. It contains a battery holding strap, three “Special Handling” tags and a “Helpful Hints for Airline Travel” booklet. Nonspillable batteries are approved for travel on airplanes. When you make your reservation, notify the airline that you will be requesting an “Escort” service.

This will assure you that your Amigo will be picked up and delivered at the boarding gate.

## • GROUND TRAVEL

Some public transportation systems have accommodations for your Amigo, but you must transfer to a seat.

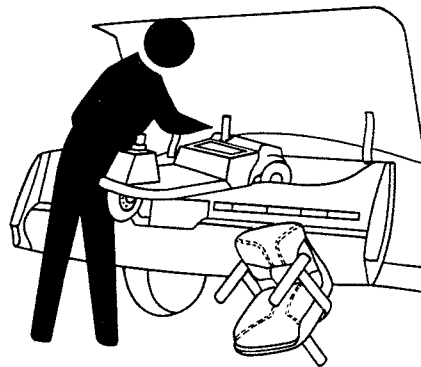


Figure 16

## Instructions to Baggage Handlers

1. Make an instruction tag and attach it to your Platform Mobility Aid (PMA) in a conspicuous place.

2. List the following instructions:

### **TO ROLL:**

*Holding onto handle and armrest, tilt so one rear wheel is not touching the ground.*

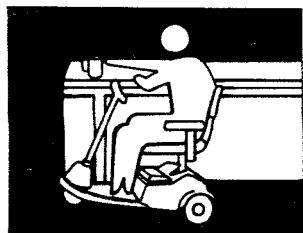
### **TO CARRY:**

*Lift by rear bumper of the platform. If a basket is attached, use the sides of the bumper. Do not lift by seat, arms, or plastic housing.*

### **BATTERIES:**

*Located directly below the seat in plastic housing. Disconnect by lifting each battery, turning 180 degrees and placing back in battery bucket. Brass battery connectors should face the rear. Strap batteries in place.*

*Amigo owners say that the best way to insure proper handling is to deliver your PMA personally to the handler and explain face-to-face the instructions and add the ever-powerful statement, "This is my legs."*



# Helpful Hints for Everyday Use

---

---

## • BATHROOM

In the bathroom, maneuvering room is usually limited. Position close to the toilet, swivel the seat, lock it in position and transfer.

When using the bathtub, back up parallel to the tub. Swivel the seat and place your feet in the tub. Engage seat lock and carefully transfer.

### **⚠ WARNING**

*Do not use your Amigo while taking a shower. The water may get into the controller and cause electronic malfunctions.*

## • BEDROOM

To transfer to the bed, back up parallel to the bed. Swivel, lock seat into position, and ease

onto the bed. If charging the batteries overnight, it may be easiest to plug in the battery charger before transferring. For added ease, when using a power seat lift, raise your seat slightly higher than the surface from which you are transferring.

## • KITCHEN

For access to a refrigerator, make a parallel approach or back up to the outside of the refrigerator. Swivel the seat.

Approach a table, sink, or stove by maneuvering parallel to it. Swivel the seat to the desired position. The handle will be out of the way.

## • CAR

To transfer to a car, make a parallel approach to the side of the car, release the door latch, and open the door as you drive forward. Back parallel to the side of the car and into the door opening. Swivel the seat and lock it in position and carefully slide onto the car seat. On the driver's side you can use the steering wheel for leverage.

## • RAMPS AND INCLINES

- Always lean forward as you maneuver your Amigo up a ramp or incline of an angle equal to 1 inch (2.54 cm) of rise to 12 inches (30.48 cm) of travel length.
- Engage your seat lock when travelling up ramps or inclines.
- Lower the speed setting to the slowest speed.

## • USING AN ELEVATOR

Backing into an elevator allows you to exit forward. Be sure the elevator is level with the floor.

## • OPENING DOORS

When a door opens toward you, approach at an angle and just off to one side. Grasp the door knob, reverse and pull the door open. For doors that open away from you, position the bumper against the door, close to the door-jamb on the doorknob side of the door. After you release the latch, use the bumper to push the door open.

### **⚠ CAUTION**

*BE CAREFUL WITH GLASS DOORS TO AVOID PERSONAL INJURY!*

## • KEEP YOUR AMIGO SHINING

Clean a fabric seat with upholstery cleaner or wash with mild soap and water. Wipe the naugahyde seat clean with a damp cloth. Protect the housings and all painted parts with a coat of auto wax.



**Notice:** When operating the Quik-Stop™ Safety Brake on declines, the brake will engage and stay locked after engagement. On level surfaces, it may or may not disengage. This is for your safety. To release the brake, you may need to reverse the direction of your Amigo.

### **⚠ WARNING**

*Do not expose your Amigo to spray-on cleaning solutions and excessive moisture such as spraying it with a garden hose, shower, or leaving it uncovered in heavy rain.*

*Excessive moisture around the controller or electrical connections may cause contamination of electrical circuitry, damage and malfunction as well as personal injury.*

### **• SPEED CONTROLS**

Slower speeds are recommended indoors and while learning to operate your Amigo. Higher speeds can be used when conditions allow.

Reducing your top speed does not noticeably reduce power of your motor (on PMAs with a membrane switch panel).

### **• STOPPING**

- 1. Dynamic braking will gradually bring your Amigo to a stop on a level surface.**
- 2. The Electromagnetic Brake will stop your Amigo one to two seconds after releasing thumb control.**

### **⚠ CAUTION**

- 3. IN EMERGENCY ONLY - QUIK-STOP™ SAFETY BRAKE SYSTEM**  
Quick stopping your Amigo when moving forward in your Amigo can be accomplished by pushing on the safety brake lever. Use the safety brake for emergency stops only. The brake causes the Amigo to stop suddenly. Excessive use may cause premature wear on tires and drive components. To disengage the brake, reverse the direction of the Amigo. In order for the safety brake system on Amigo RWDs with pneumatic tires to function properly, the tires must have the recommended tire pressure of 50 psi (22.5 kg/cm). Deviation from this tire pressure will result in reduced stopping ability and undue tire wear.

### **⚠ CAUTION**

Braking action in reverse is minimal and will not cause the Amigo to come to a sudden stop.

■ **MAINTENANCE**

- Daily
- Monthly
- Yearly
- Controller
- UNIPAC® Drive
- Charger Reel Cord

■ **SERVICE**

- Replacing Rear Drive Wheel Tire or Inner Tube

■ **WARRANTIES**

**A FRIEND  
FOR LIFE**

AMIGGO

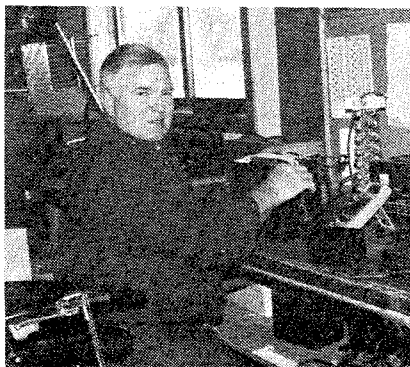




# Maintenance

---

---



Minimum maintenance is required to increase your service ease and dependability. Check the following:

- **DAILY**

- Maintain battery charge.

- **IF YOU USE YOUR AMIGO DAILY**

- It is important to charge the battery daily. Charge the battery until fully charged to ensure battery operation throughout the cold weather months.

*Storage Tip: Extended charging is good for the batteries. The batteries will not overcharge. Charge battery fully and store indoors in an arid environment. Do not store on concrete since this will continue to draw on the battery. Protect your battery by placing it on a wood block instead.*

- **MONTHLY**

- Check and clean battery terminals and

the copper connections as needed with a light piece of emery cloth. Lightly pull copper spring tabs out 1/8 inch (.32 cm) to 1/4 inch (.64 cm) to insure successful connection when battery is replaced.

- Clean upholstery, plastic and metal with a mild surface cleaner.

**⚠ CAUTION**

*Keep cleaning solvents, away from electrical wires and connections.*

- Check and tighten any exposed fasteners.
- Check front wheel bearings for roughness during rotation. Replace if necessary.
- Make sure all fasteners are tight at all connections on battery box.

**AMIGO DELUXE:**

- Remove wide-track dual wheels and inspect interconnecting parts

of the dual wheels and drive wheels for signs of corrosion. Wipe clean and lightly coat interconnecting parts with lubricant or grease.

- Check tire pressure. Pneumatic tires on rear wheels should be maintained at 40-50 psi (18-22.5 kg/cm).

**⚠ WARNING**

**DO NOT EXCEED 50 PS I (22.5 kg/cm)  
OR TIRES MAY BE DAMAGED!**

**• 3 MONTHS**

- Lubricate steering column and seat post.
- Check all screws and clips holding wheels for tightness and wear.

**• 6 MONTHS**

- Check the brass barrels on your batteries. If a flat spot has developed, rotate the barrel for better contact.
- Check all electrical connections for clean contact.
- Charging connection should be inspected for tight connection.
- Check tires for wear.
- Inspect seat posts for cracks or breaks in welds.

**• YEARLY**

- Have your authorized service center

check your Amigo completely.

- Replace the foam in your padded fold-down seat if applicable.
- Replace the foam in your padded, fold-down seat if applicable.

**• CONTROLLER**

Do not attempt to service the controller or related electronic components as you may void your warranty.

**• UNIPAC® DRIVE**

Your UNIPAC® drive system is a precision assembly lubricated for long service. Do not attempt to open and service the assembly, which could void your warranty. Contact your authorized service center if problems occur, or call 1-800-248-9131 to speak to a manufacturer service representative.

**• CHARGER REEL CORD**

Through repeated usages, the cord can become twisted in the charger reel. Every three months, extend the cord to its fullest length. Flatten the cord, taking out all twists that have developed in the flattened surfaces. This will allow proper functioning of the cord reel. If you experience problems operating the cord reel, you may need to repeat this action monthly.







## Service

You will get years of dependable service if you follow the suggested maintenance schedule. If you experience a problem and have to write in or call an authorized service center, be sure to provide your serial number. You will find it on the front cover and right hand side of the battery box. Model numbers and serial numbers will help us provide efficient service. Call your local Amigo Mobility Center<sup>®</sup>, Amigo representative, or call: 1-800-248-9131.

### **⚠ WARNING**

**DO NOT ATTEMPT TO DISASSEMBLE THE RIM BEFORE RELEASING ALL AIR PRESSURE FROM THE TIRE.**

## • REPLACING REAR DRIVE WHEEL TIRE OR INNER TUBE

### AMIGO DELUXE:

Tools: Two 1/2-inch sockets (13 mm), small screw driver, two long shank screwdrivers, Phillips screwdriver, 1/8-inch (3 mm) allen wrench, 3/8-inch (10 mm) open end wrench.

### *Disassembly:*

1. Remove seat from the Amigo.
2. Remove batteries and battery case cover (Amigo Deluxe).
3. Remove rear cover.
4. Remove dual wheels from the same side of the Amigo in which the tire needs repairing, or remove center cap from rim if the dual wheels are not in place.
5. Remove shoulder screw, washers, and nut holding rear wheel adapter assembly to axle. Slide assembly off axle, tapping with mallet if necessary.
6. If the tires are pneumatic and not foam-filled, release any air pressure from the tire by depressing

- the needle on valve with the tip of a small screwdriver or similar instrument (Be careful not to damage the valve).
7. When all the air has been released, the rim can be disassembled and removed from the wheel assembly by removing the four screws and nuts which hold it together. This requires two 1/2-inch sockets (13 mm).
  8. If the rim does not easily disassemble after removing screws and nuts, use two long shank screwdrivers to gently pry the tire from the rim. Be careful not to damage the inner tube of the tire.

*Reassembly:*

1. Release all air from the inner tube if tires are pneumatic.
2. Insert inner tube inside tire with valve stem pointing out.
3. Insert one rim half inside tire making sure the valve stem of the tube fits in the cutout on the inner face of the rim.
4. Put the two halves together (Do not pinch inner tube).
5. Insert the four screws through the rim and adapter making sure the screw

heads are on the opposite side of the valve stem.

6. Place the locknuts on screws and tighten the assembly together.
7. Inflate tire to 40-50 psi (18-22.5 kg/cm).

*Note: Replace spacer and shim washers. Then slide wheel assembly over axle, using a light oil lubricant if necessary. Reinstall shoulder screw, washers, and nut.*

## Warranties

---

---

AMIGO MOBILITY INTERNATIONAL, INC.

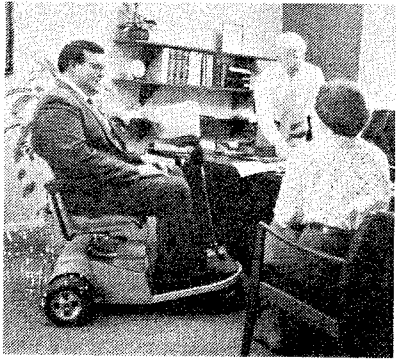
January 1, 1994

### • **WORLDWIDE LIMITED THREE-YEAR WARRANTY**

Amigo Mobility International (AMI), warrants products it manufactures to the original purchaser.

**ALL AMIGO  
MANUFACTURED PRODUCTS**





1. Structural components that are warranted against defects in materials and workmanship for three (3) years are limited to the following components:

Platform, fork, lower seat post and upper seat post.

2. UNIPAC®, Vari-speed boards, chargers and motors are warranted against defects in materials and workmanship for three (3) years with replacement on a prorated basis.

3. Components warranted for six (6) months against defects in materials and workmanship are limited to the following: LED lights, electrical and mechanical switches, and batteries provided through AMI.

4. Seats and other components have a one-(1) year warranty and are covered against defects in materials and workmanship for one year from date of purchase.

5. Use of this product by persons exceeding 350 lbs. (157.5 kgs.) on the composite platform, 250 lbs. (112.5 kgs.) on the aluminum and steel platform, 250 lbs. (112.5 kgs.) on a power seat lift, and 200 lbs. (90 kgs.) on the Lift•All® is not recommended and voids this warranty.

6. After six (6) months, labor will be charged

on warranty repairs, except where law prohibits.

7. Items replaced under warranty are covered by the original warranty. Replacement of defective parts does not extend the warranty period.

AMI's obligation under this warranty is limited to replacing or repairing at its option, such products or parts that are returned prepaid by the purchaser and are found to be defective.

If the purchaser elects not to return the product to the factory and wishes a factory service representative to make adjustments and repairs at the product's location, field service rates will apply.

This warranty does not cover accidental damage, misuse, normal wear and tear, or use of Amigo products for other than personal purposes.

If upon inspection, a warranty return is found to be fully functional or failure was due to abuse or wear, the customer will be invoiced for the replacement part. Opening sealed components may void warranty.

The three-year warranty prorating is as follows: (Customer pays)

- 01 - 12 months = 0
- 13 - 24 months = 50%
- 25 - 36 months = 75%

The above warranty supersedes and is in lieu of all other warranties, expressed or implied, and no person, agent or dealer is authorized to give any warranties on behalf of the Manufacturer, nor to assume for the Manufacturer any other liability in connection with any of its products unless made in writing and signed by an official of the Manufacturer.

This warranty provides you with specific legal rights, with the possibility of other rights, which vary depending upon your locality.

A three-year warranty is applicable outside the United States, with the exception of batteries, LED lights, and switches, which have a six-month warranty.

## • FOR WARRANTY SERVICE

Contact: Service Department of AMI, 6693 Dixie Highway, Bridgeport, MI 48722, **TOLL-FREE: 1-800-248-9131** during regular business hours (EST). For emergencies, contact your local Amigo Mobility Center®, Amigo

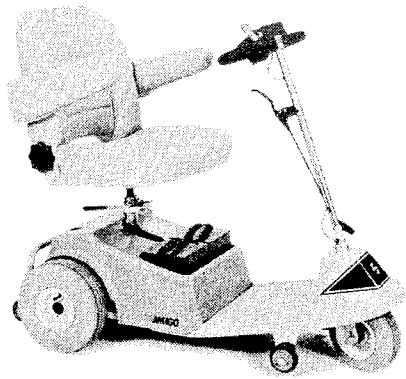
Representative, or after business hours (6 PM EST), call **517-798-5634**. There is a \$5.00 fee for this emergency phone line service.

**If you have any questions regarding your Amigo, need further assistance in troubleshooting a problem, or if your Amigo needs service or repair, please call the Amigo Service Department. A complete Service Guide and Electrical Troubleshooting Kit are available to you.**

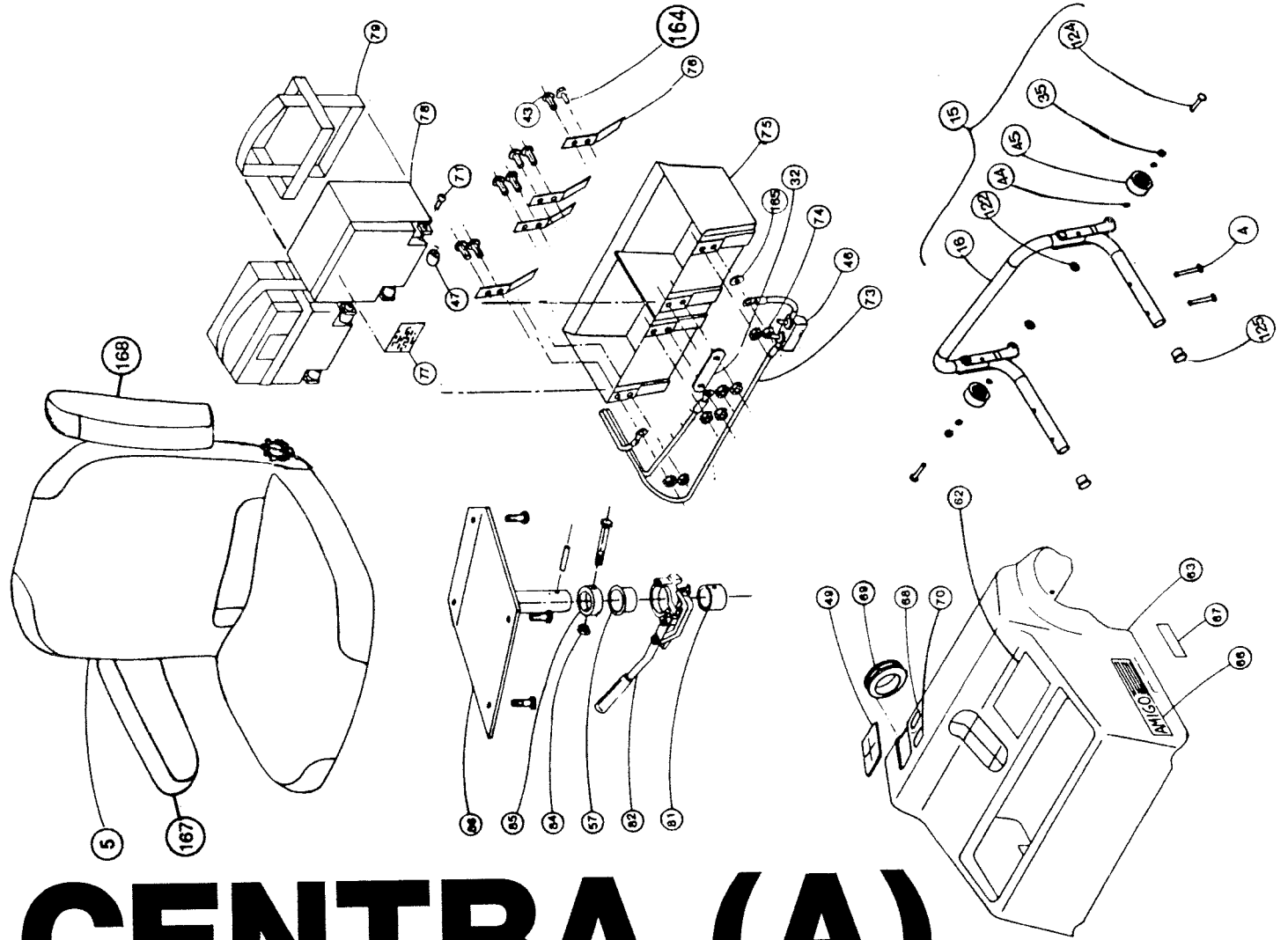
## • SMALL PARTS ORDERS

Amigo is committed to serving you quickly and efficiently. Yet, in today's economy, it can be expensive at times. The cost of ordering, preparing, packing, invoicing and shipping a part which cost \$1.00 to purchase, costs approximately \$7.00 to send out to you. This cost insures we have accurate records of parts ordered on your Amigo and gives you the added security of warranty coverage. We ask that you help us continue to serve you effectively and help keep the cost of our parts down. On parts orders less than \$7.00, please think about ordering an additional part or kit you've been wanting. This way, you save future shipping costs and we decrease any undue cost to you in the future. Thank you .

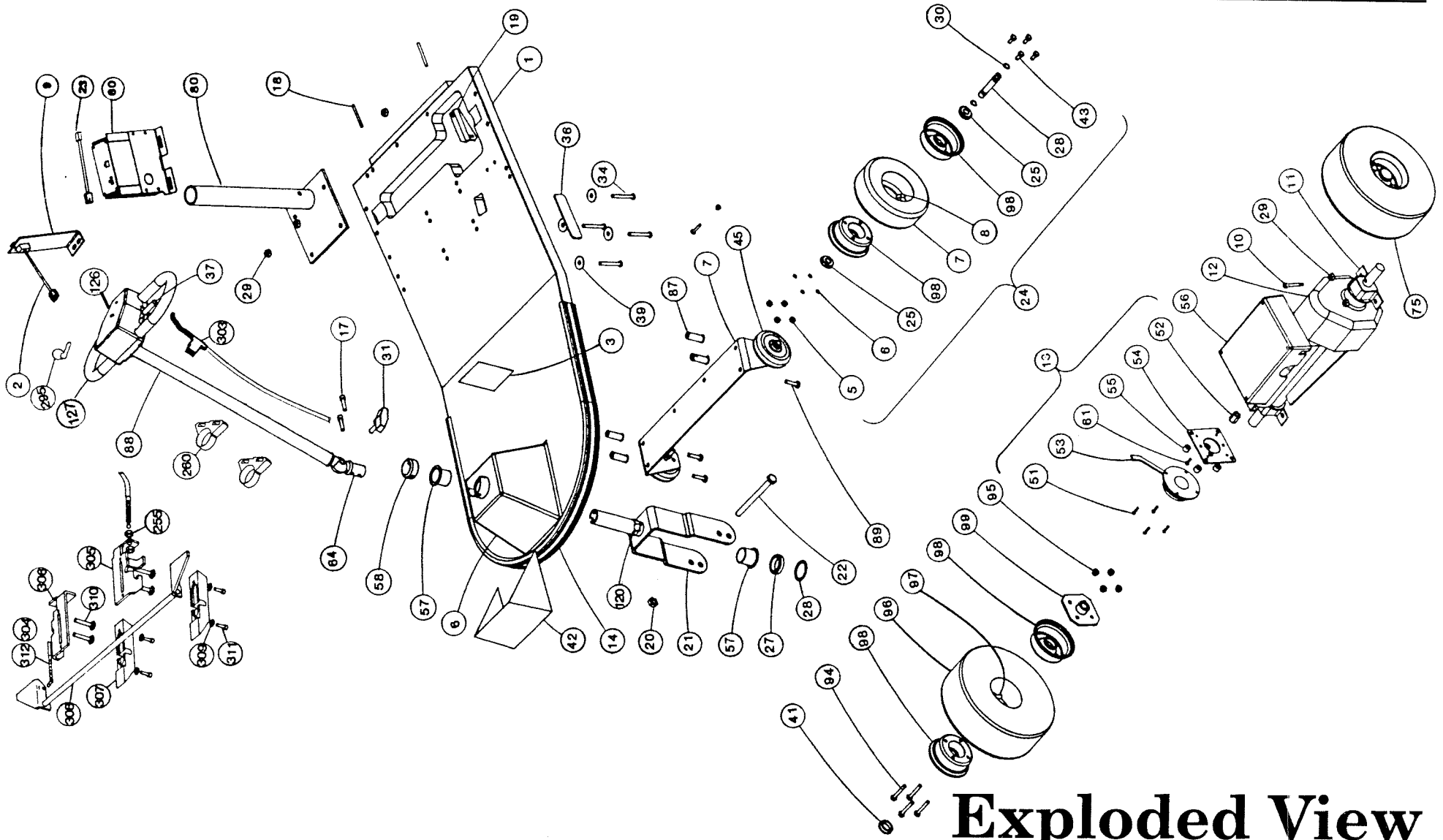




# AMIGO



# CENTRA (A)



# Exploded View

# Amigo Centra A Parts List

---

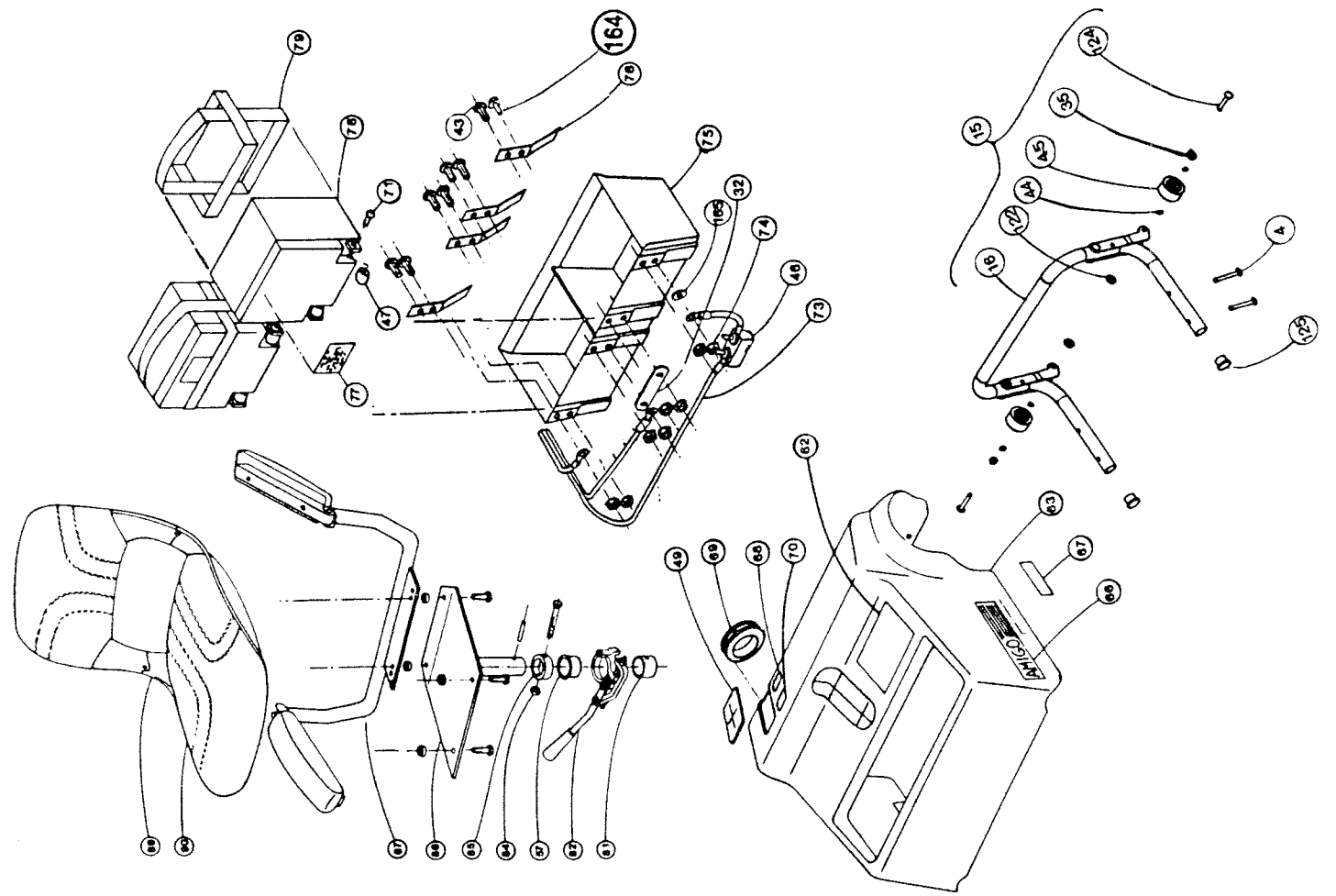
Ref. #	Item #	Description
1.	7527	Platform Assembly, Fiberglass RWD - (Includes #s 3, 14, 18, 38, 75)
2.	7607	Wire, AC to Charger (Includes #9)
4.	4953	Screw, 1/4-20 x 2.5 Hex HD (M6 x 65)
5.	7339	Seat, Gray Comforflex Seat
6.	1259	Washer, 5/16 I.D. Spring Lock (M8)
7.	5181	Tire, Gray - 2.80 x 2.50-4 Pneumatic
8.	2725	Tube, Pneumatic Tire
9.	7284	Bracket, Charger Cord
10.	5865	Screw, 10 - 24 x 1/4 x 1.25 Shoulder*
11.	5751	Clamp, Mounting
12.	7360	UNIPAC® w/Brake - (Includes #13)
13.	7390	Manual Release E/M Brake Assembly - (Includes #s 51 - 55, 61)
15.	300462	Bumper Assembly, 10" Wheels (25 cm) - (Includes #s 4, 35, 122, 123, 124, 125)
14.	300505	Bumper, Extruded
16.	8353	Tube, Bumper
17.	7281	Screw, 1/4 - 20 x .875 SHCS*
18.	5206	Pin, 3/16 x 2 Groove (M5 x 50)
20.	2237	Nut, 3/8 - 24 Hex (M9)
21.	7280	Fork, Front, Universal
22.	6505	Screw, 3/8 - 24 x 4.5 Hex HD (M9 x 115)
23.	7852	Wire - Charger to Controller
24.	300352	Wheel Assembly, 8" Pneumatic, RWD Front (20 cm)
25.	1055	Bearing, Wheel
26.	5413	Washer, Dust Cover
27.	5407	Bearing, Steering Column Ball
28.	6435	Centering Tube, Amigo Sport
29.	3083	Nut, 1/4 - 20 Serrated (M6)
30.	1040	Retaining Ring, Centering Tube
31.	7279	Knob, Adjustable Handle
32.	6146	Contact, Battery Jumper
34.	4952	Screw, 1/4 - 20 x 2.0 Hex HD (M6 x 50)
35.	5340	Washer, Wave
37.	5719	Covers, Pair of Adjustable Handle Tab
38.	6304	Velcro, Base
39.	5893	Washer, .25 I.D. Fender (M6)
41.	5209	Cap, Rear Wheel
42.	6928	Label, RWD, Maroon, Front Logo
44.	1192	Washer, .25 I.D. Flat (M6)
45.	7541	Wheel, Bumper, 1.6-inch Stability (4 cm)
46.	7441	Circuit Breaker
47.	5200	Terminal Contact
49.	7145	Seal, Rubber - E/M Brake
50.	1258	Screw, 5/16 - 18 x .75 Hex HD (M8 x 20)
51.	7069	Screw, #10 - 32 x 5/8 Socket HD Cap (M5 x 16)
52.	6886	Hub, Manual Release, E/M Brake
53.	6885	Brake, Electromagnetic Manual Release

54.	5811	Plate, RWD E/M Brake Adapter	82.	267000	Seat Lock Assembly, RH
55.	5832	Spacer, RWD E/M Brake		267500	Seat Lock Assembly, LH
56.	7804	Controller Assembly	83.	1275	Nut, 5/16 - 18 Hex (M8)
57.	1025	Bearing, Shoulder	84.	267001	Stem Collar Screw & Nut
58.	300304	Collar Kit, Retaining	85.	100690	Stem Collar with Screw & Nut - (Includes #84)
60.	355117	Charger, MPC	86.	100670	Upper Seat Post
61.	6223	Screw, 10 - 24 x .5 Self-Tapping*	87.	7303	Well Nut, 1/4 - 20 (M6)
62.	5806	Label, RWD Warning	88.	7444	Handle, Double-Adjustable
63.	300475	Cover, Rear Assembly - (Includes #s 49, 62, 66-70)	89.	1180	Screw, 1/4 - 20 x 1.0 Hex HD (M6 x 25)
64.	7272	Articulating Clamp, THD	94.	5567	Screw, 5/16 - 18 x 2.0 Hex HD (M8 x 50)
66.	5326	Label, Left Side Amigo	95.	3603	Nut, 5/16 - 18 Hex Nylok (M8)
	6749	Label, Right Side Amigo	96.	6167	Tire, Gray 10" Rear Pneumatic (25 cm)
67.	6305	Velcro, Rear Cover	97.	6166	Tube, 10" Pneumatic Tire (25 cm)
68.	5944	Label, E/M Brake Release	98.	4615	Hub, Split Rim
69.	7202	Grommet, Reel Cord	99.	6429	Adapter, Split Rim Rear Wheel
70.	5827	Label, E/M Brake	106.	1178	Screw, 1/4 - 20 x .62 Button HD
71.	3973	Screw, 10 - 32 x .5 BHCS (M5 x 12)	120.	7351	Contact, Grounding
72.	300351	Wheel Assembly, 10" Pneumatic Rear (M6)	122.	7600	Push Nut .250 Diameter (M6)
73.	7437	Wire Assembly, Battery to MPC	123.	5194	Wheel, 3-in. Stability (7 cm)
74.	1167	Nut, 1/4 - 20 Hex Keps	124.	7599	Rivet, 1/4 x 1.50 TRSS HD (M6 x 40)
75.	7363	Holder Assembly, MPC, Dual Battery - (Includes #s 32, 43, 46, 74, 76)	125.	6463	Plug, EndoFlex® Arm
76.	5204	Contact, Dual Power Cell	126.	7646	Encl. and Pot. Assy. - MPC Centra
78.	5198	Battery, RWD - (Includes #s 47, 71)	127.	7552	Grip, MPC Handle Vinyl
79.	5202	Harness, Battery Lifting	164.	3212	Screw, 1/4 - 20 x .625 Hex HD (M6 x 16)
80.	300265	Lower Seat Post (Includes #s 29, 33)	165.	2501	Washer, 1/4 ID Cone Lock (M6)
81.	100710	Bearing, Lower, w/Pin			

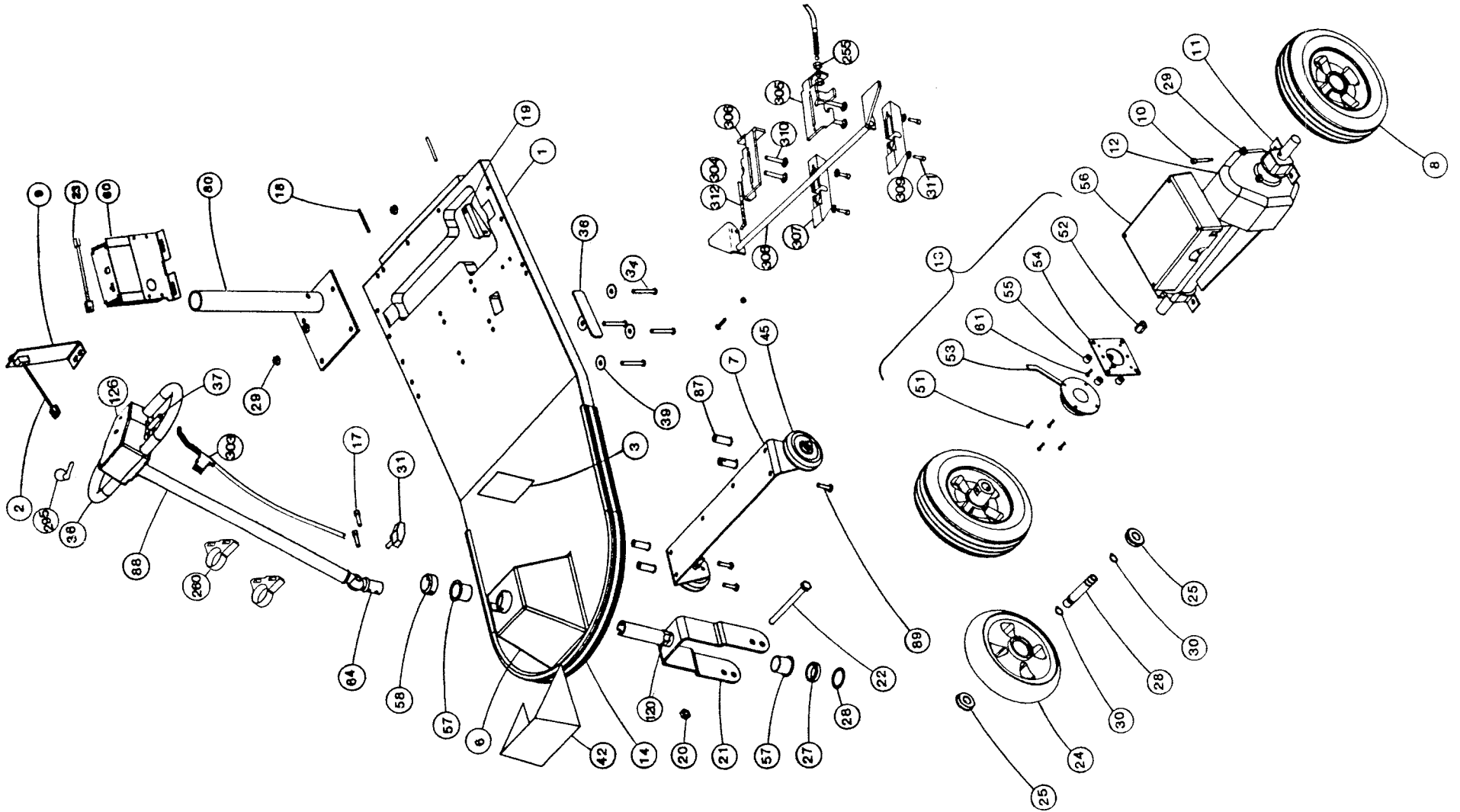




AMIGO



**CENTRA (B)**



# Exploded View

# Amigo Centra B Parts List

---

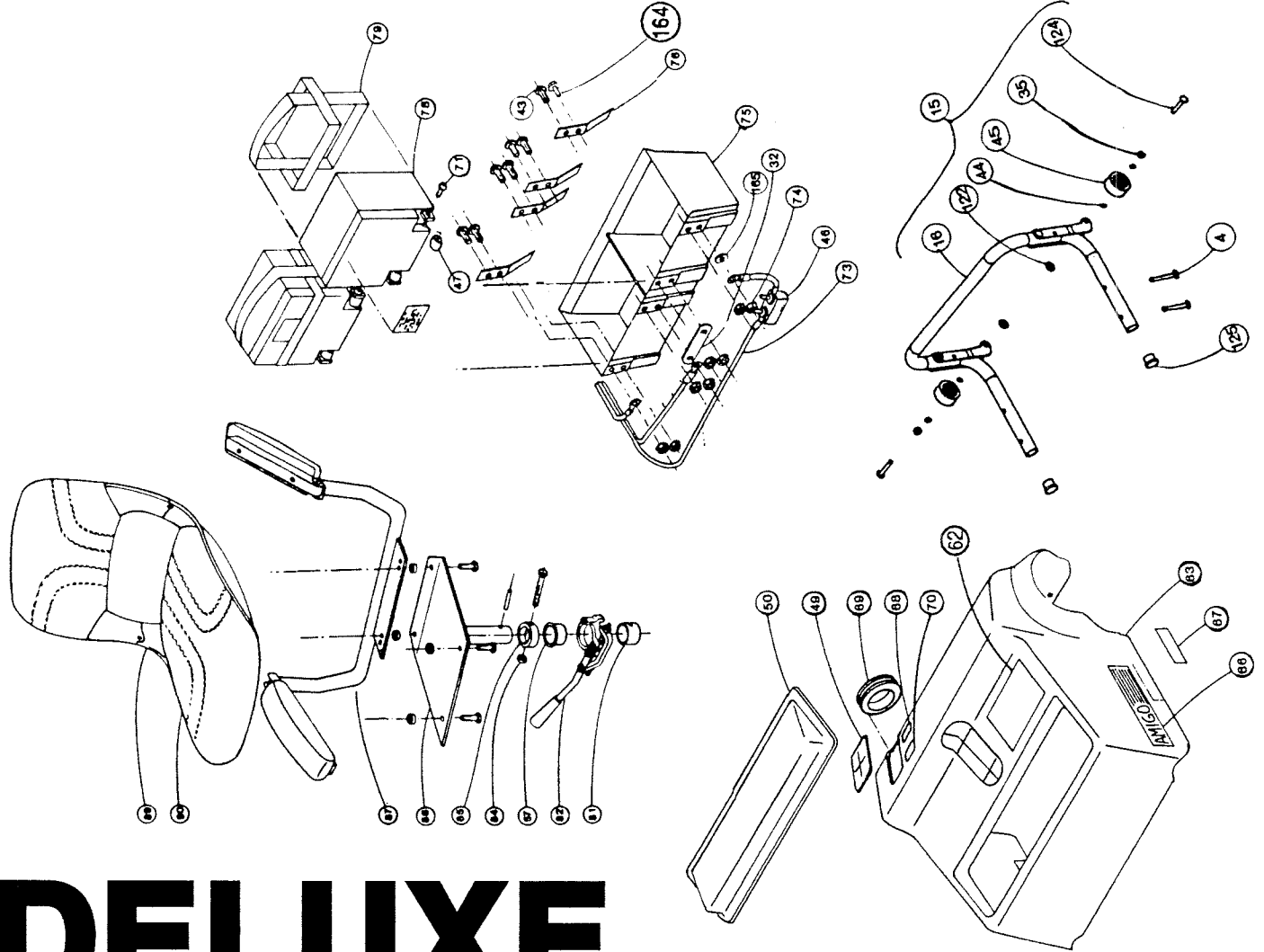
Ref. #	Item #	Description
1.	7527	Platform Assembly, Fiberglass RWD - (Includes #s 3, 14, 18, 38, 75)
2.	7607	Wire – AC to Charger (Includes #9)
3.	1281	Label, Owner's
4.	4953	Screw, 1/4-20 x 2.5 Button HD (M6 x 65)
6.	1259	Washer, 5/16 I.D. Spring Lock
8.	300371	Wheel, RWD, 9" Solid Rear
9.	7284	Bracket, Charger Cord
10.	5865	Screw, 10 - 24 x 1/4 x 1.25 Shoulder*
11.	5751	Clamp, Mounting
12.	7360	UNIPAC® w/Brake - (Includes #13)
13.	7390	Manual Release E/M Brake Assy. - (Includes #s 51 - 55, 61)
14.	300505	Bumper, Extruded
15.	300462	Bumper Assembly, 9" Wheels - (Includes #s 35, 44, 45, 122, 124, 125)
16.	8353	Tube, Bumper
17.	7281	Screw, 1/4 - 20 x .875 SHCS*
18.	5206	Pin, 3/16 x 2 Groove (M5 x 50)
20.	2237	Nut, 3/8 - 24 Hex (M9)
21.	7280	Fork, Front, Universal
22.	6505	Screw, 3/8 - 24 x 4.5 Hex HD (M9 x 115)
23.	7852	Wire – Charger to Controller
24.	7309	Wheel Assembly, 8" Solid, RWD Front (20 cm)
25.	1055	Bearing, Wheel
26.	5413	Washer, Dust Cover
27.	5407	Bearing, Steering Column Ball
28.	6435	Centering Tube, Amigo Sport
29.	3083	Nut, 1/4 - 20 Serrated (M6)
30.	1040	Retaining Ring, Centering Tube
31.	7279	Knob, Adjustable Handle
32.	6146	Contact, Battery Jumper
34.	4952	Screw, 1/4 - 20 x 2.0 Hex HD (M6 x 50)
35.	5340	Washer, Wave
36.	7552	Grip, MPC Handle, Vinyl
37.	5719	Covers, Pair of Adjustable Handle Tab
38.	6304	Velcro, Base
39.	5893	Washer, .25 I.D. Fender (M6)
41.	5209	Cap, Rear Wheel
42.	6928	Label, RWD, Maroon, Front Logo
43.	1391	Screw, 1/4 - 20 x .50 Button HD (M6 x 12)
44.	1192	Washer, .25 I.D. Flat (M6)
45.	7541	Wheel, Bumper 1.6" (4 cm)
46.	7441	Circuit Breaker
47.	5200	Terminal Contact
49.	7145	Seal, Rubber - E/M Brake
50.	1258	Screw, 5/16 - 18 x .75 Hex HD (M6 x 20)
51.	7069	Screw, #10 - 32 x 5/8 Socket HD Cap (M5 x 16)
52.	6886	Hub, Manual Release, E/M Brake
53.	6885	Brake, Electromagnetic Manual Release
54.	5811	Plate, RWD E/M Brake Adapter

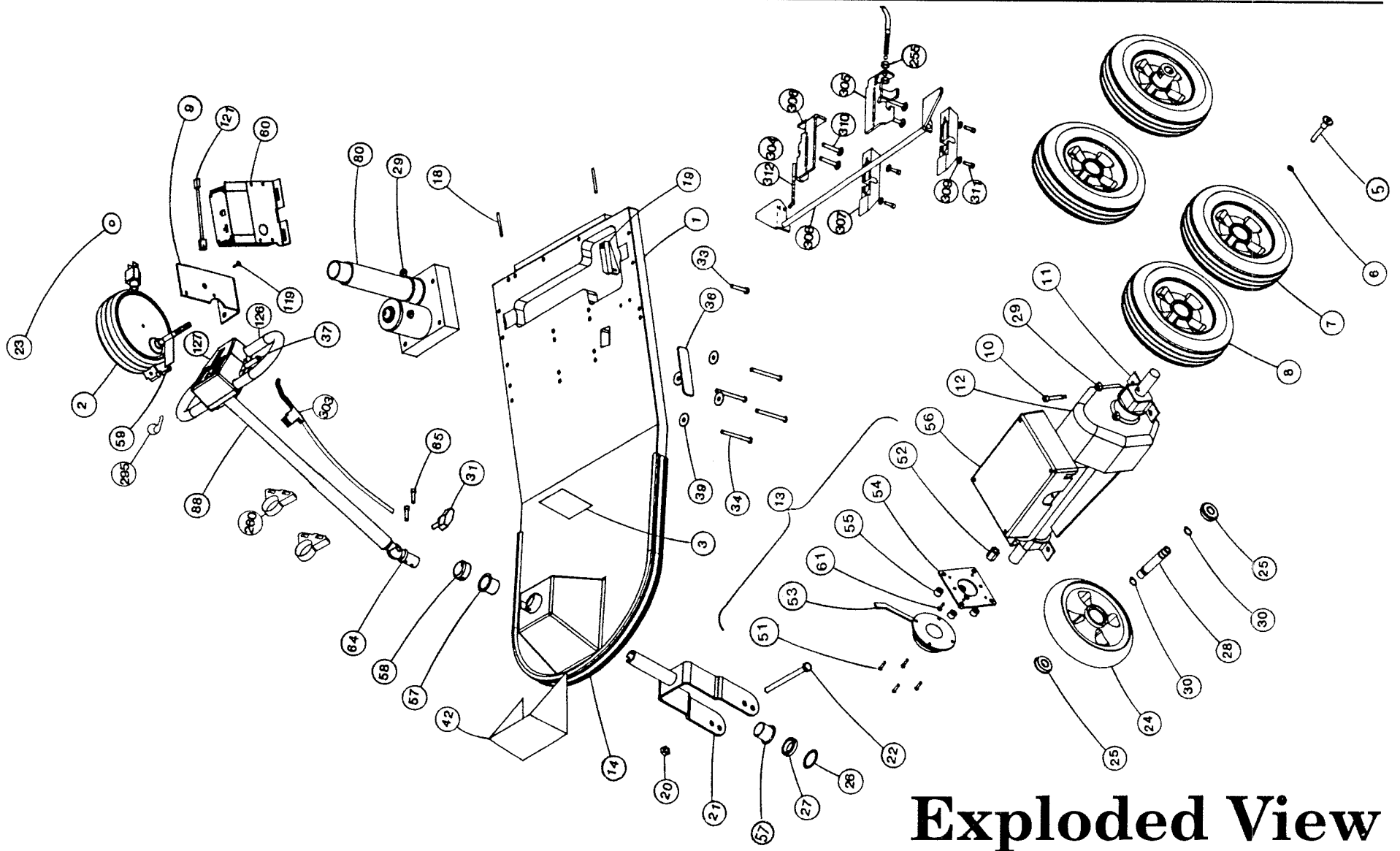
55.	5832	Spacer, RWD E/M Brake	84.	267001	Stem Collar Screw & Nut
56.	7804	Controller Assembly	85.	100690	Stem Collar with Screw & Nut - (Includes #84)
57.	1025	Bearing, Shoulder	86.	100670	Upper Seat Post
58.	300304	Collar Kit, Retaining	87.	7303	Well Nut, 1/4 - 20 (M6)
60.	355117	Charger, MPC	88.	7444	Handle, Double-Adjustable
61.	6223	Screw, 10 - 24 x .5 Self-Tapping*	89.	1180	Screw, 1/4 - 2- x 1.0 Hex HD (M6 x 25)
62.	5806	Label, RWD Warning	90.	300330	Cushion Set, Gray, Folding
63.	300475	Cover, Rear Assembly - (Includes #s 49, 62, 66-70)	120.	7351	Contact, Grounding
64.	7272	Articulating Clamp, THD	122.	7600	Push Nut, .250 Diameter (M6)
66.	5326	Label, Left Side Amigo	123.	5194	Wheel, 3-in. Stability (7 cm)
	6749	Label, Right Side Amigo	124.	7599	Rivet, 1/4 x 1.50 TRSS HD (M6 x 40)
67.	6305	Velcro, Rear Cover	125.	6463	Plug, EndoFlex® Arm
68.	5944	Label, E/M Brake Release	126.	7646	Encl. and Pot. Assy. – MPC Centra
69.	7202	Grommet, Reel Cord	164.	3212	Screw, 1/4 - 20 x .625 Hex HD (M6 x 16)
70.	5827	Label, E/M Brake	165.	2501	Washer, 1/4 ID Cone Lock
71.	3973	Screw, 10 - 32 x .5 BHCS (M5 x 12)	166.	300183	Arms, Flip-Up
73.	7437	Wire Assembly, Battery to MPC	167.	300219	Seat, High-Back, Folding
74.	1167	Nut, 1/4 - 20 Hex Keps (M6)			
76.	5204	Contact, Dual Power Cell			
78.	5198	Battery, RWD - (Includes #s 47, 71)			
79.	5202	Harness, Battery Lifting			
80.	300265	Lower Seat Post (Includes #s 29, 33)			
81.	100710	Bearing, Lower, w/Pin			
82.	267000	Seat Lock Assembly, RH			
	267500	Seat Lock Assembly, LH			
83.	1275	Nut, 5/16 - 18 Hex (M8)			



AMIGO

DELUXE





# Exploded View

# Amigo Deluxe Parts List

---

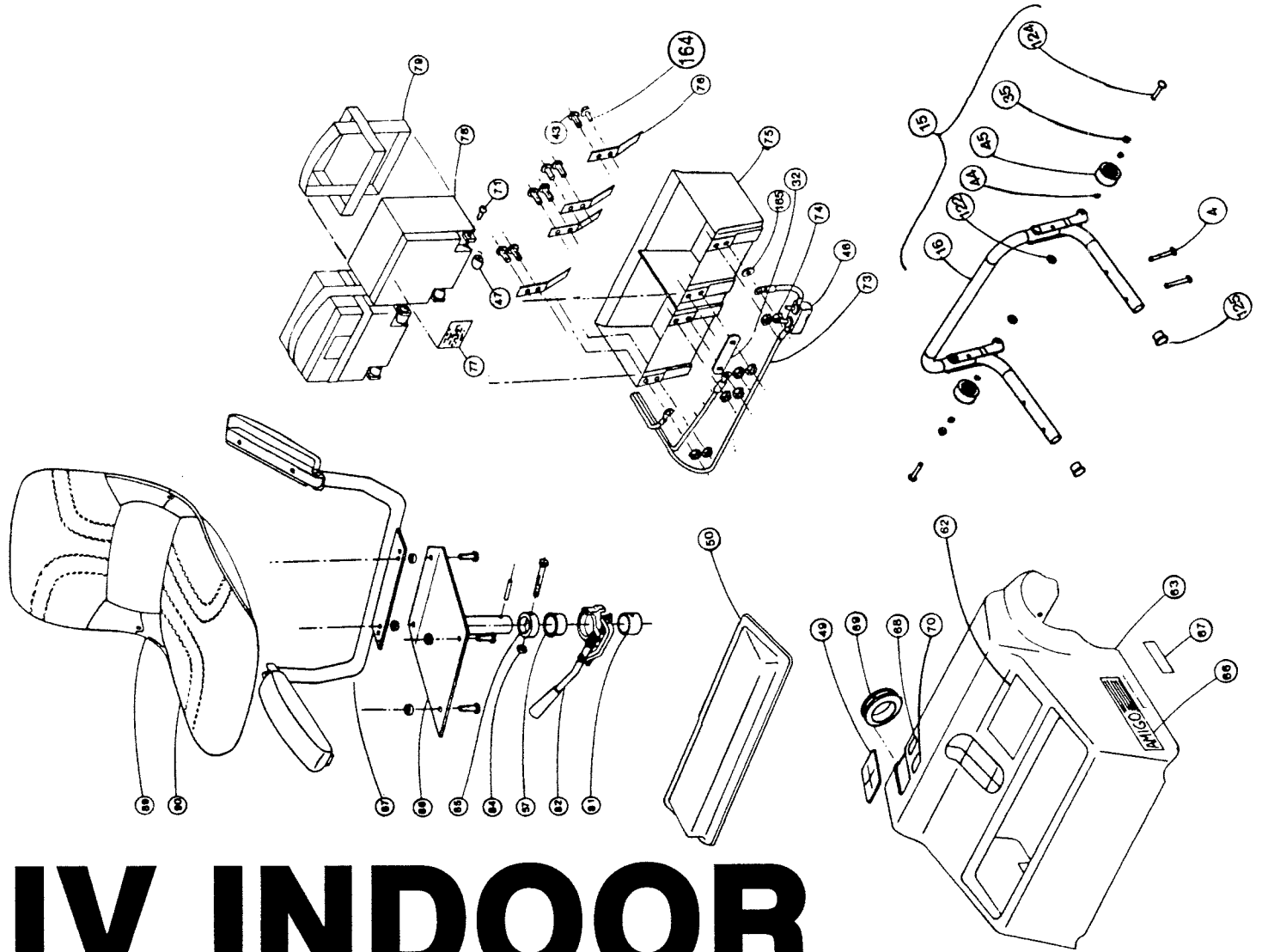
Ref. #	Item #	Description
1.	7527	Platform Assembly, Fiberglass RWD - (Includes #s 3, 14, 18, 36, 75)
2.	7605	Reel, Enclosed w/o Ball - (Includes #s 59, 119)
4.	4953	Screw, 1/4 x 20 x 2.5 Hex HD (M6 x 65)
5.	5432	Pin, 1.5 inch Dual Wheel*
6.	5434	Washer, RWD, Pin Shim
7.	300370	Wheel, RWD, Plastic Dual (Includes #s 5, 6)
8.	300371	Wheel, RWD, Plastic Rear
10.	5865	Screw, 10 - 24 x 1/4 x 1.25 Shoulder*
11.	5751	Clamp Mounting
12.	7364	UNIPAC® w/Brake - (Includes #13)
13.	7390	Manual Release E/M Brake Assembly - (Includes #s 51 - 55, 61)
14.	300505	Bumper, Extruded
15.	300462	Bumper Assembly - 8" Wheels (20 cm) - (Includes #s 4, 16, 44, 45, 122, 124, 125)
16.	8353	Tube, Bumper
18.	5206	Pin, 3/16 x 2 Groove (M5 x 50)
20.	2237	Nut, 3/8 - 24 Hex
21.	7280	Fork, Front Universal
22.	6505	Screw, 3/8 - 24 x 4.5 Hex HD (M9 x 115)
23.	7495	Washer, 1.75 O.D. (45mm O.D.)
24.	7309	Wheel Assembly, RWD Front - (Includes #s 25, 28, 30)
25.	1055	Bearing, Wheel
26.	5413	Washer, Dust Cover
27.	5407	Bearing, Steering Column, Ball
28.	6435	Centering Tube, RWD
29.	3083	Nut, 1/4 - 20 Serrated (M6)
30.	1040	Retaining Ring, Centering Tube
31.	7279	Knob, Adjustable Handle
32.	6146	Contact, Battery Jumper
34.	4954	Screw, 1/4 - 20 x 3.0 Hex HD (M6 x 75)
36.	6304	Velcro, Platform
37.	5719	Covers, Pair of Adjustable Handle Tab
39.	5893	Washer, .25 I.D. Fender (M6)
42.	6926	Label, RWD, Light Blue, Front Logo
	6927	Label, RWD, Navy Blue, Front Logo
	6928	Label, RWD, Maroon, Front Logo
43.	1391	Screw, 1/4 - 20 x .50 Button HD (M6 x 12)
44.	1192	Washer, .25 I.D. Flat (M6)
45.	7541	Wheel, 1.6 in. Stability (4 cm)
46.	7441	Circuit Breaker, 25 AMP
47.	5200	Terminal Contact
49.	7145	Seal, Rubber - E/M Brake
50.		Cover Assembly
	6019	- Battery Top, Gray
	6021	- Battery Top, Rich Blue
	6020	- Battery Top, Maroon
	6044	- Battery Top, Navy Blue
51.	7069	Screw, #10 - 32 x .875 (M5 x 16)
		Socket HD Cap
52.	6886	Hub, Manual Release, E/M Brake
53.	6885	Brake, E/M Brake Adaptor
54.	5811	Plate, RWD E/M Brake Adaptor
55.	5832	Spacer, RWD E/M Brake

56.	7804	Controller Assembly	81.	100710	Bearing, Lower, w/Pin
57.	1025	Bearing, Shoulder	82.	267000	Seat Lock Assembly - RH
58.	300304	Collar Kit, Retaining		267500	Seat Lock Assembly - LH
59.	7269	Charger/Reel Warning Label	84.	267001	Stem Collar Screw & Nut
60.	355119	Charger, MPC (Includes #121)	85.	100690	Stem Collar with Screw & Nut - (Includes #84)
61.	6223	Screw, 10 - 24 x .5 Self-Tapping*	86.	100671	Seat Post - Power Seat Lift Upper - (Includes #s 57, 81, 85)
62.	5806	Label, RWD Warning	87.	300183	Arms, Flip-Up - Folding Seat
63.		Cover Assembly (Choice of Color)	89.	300219	Seat, High-Back, Gray, Folding
	300475	- Rear, Maroon		300369	Seat, High-Back, Black, Folding
	300475	- Rear, Rich Blue	90.		Cushion Sets
	300475	- Rear, Navy Blue		300220	- High-Back, Gray, Folding
	300475	- Rear, Gray		300361	- High-Back, Black, Folding
		- (Includes #s 49, 62, 66 - 70)	119.	7123	Screw, 10 - 24 x .50*
64.	7272	Articulating Clamp, THD.	120.	7351	Contact, Grounding
65.	7281	Screw, 1/4 - 20 x .875 S.H.C.S.*	121.	7852	Wire Assy.- Charger to Controller
66.	5326	Label, Left Side Amigo	122.	7600	Push Nut, .250 Diameter (M6)
	6749	Label, Right Side Amigo	124.	7599	Rivet, 1/4 x 1.50 TRSS HD (M6)
67.	6305	Velcro, Rear Cover	125.	6463	Plug, EndoFlex® Arm
68.	5944	Label, E/M Brake Release	126.	7645	Grip, MPC Handle, Vinyl
69.	7202	Grommet, Reel Cord	127.	7552	Encl. and Pot. Assy. - MPC Del.
70.	5827	Label, E/M Brake	165.	2501	Washer, 1/4 I.D. Cone Lock (M6)
71.	3973	Screw, 10 - 32 x .5 BHCS (M5 x 12)			
73.	7437	Wire Assembly - Battery to MPC			
74.	1167	Nut, 1/4 - 20 Hex Keps (M6)			
75.	7363	Holder Assembly, Dual Battery - (Includes #s 32, 43, 46, 73, 74, 76)			
76.	5204	Contact, Dual Power Cell			
78.	5198	Battery, RWD			
79.	5202	Harness, Battery Lifting			
80.	300137	Power Seat Lift Component (Optional) - 24 Volts (Includes #s 29, 34)			

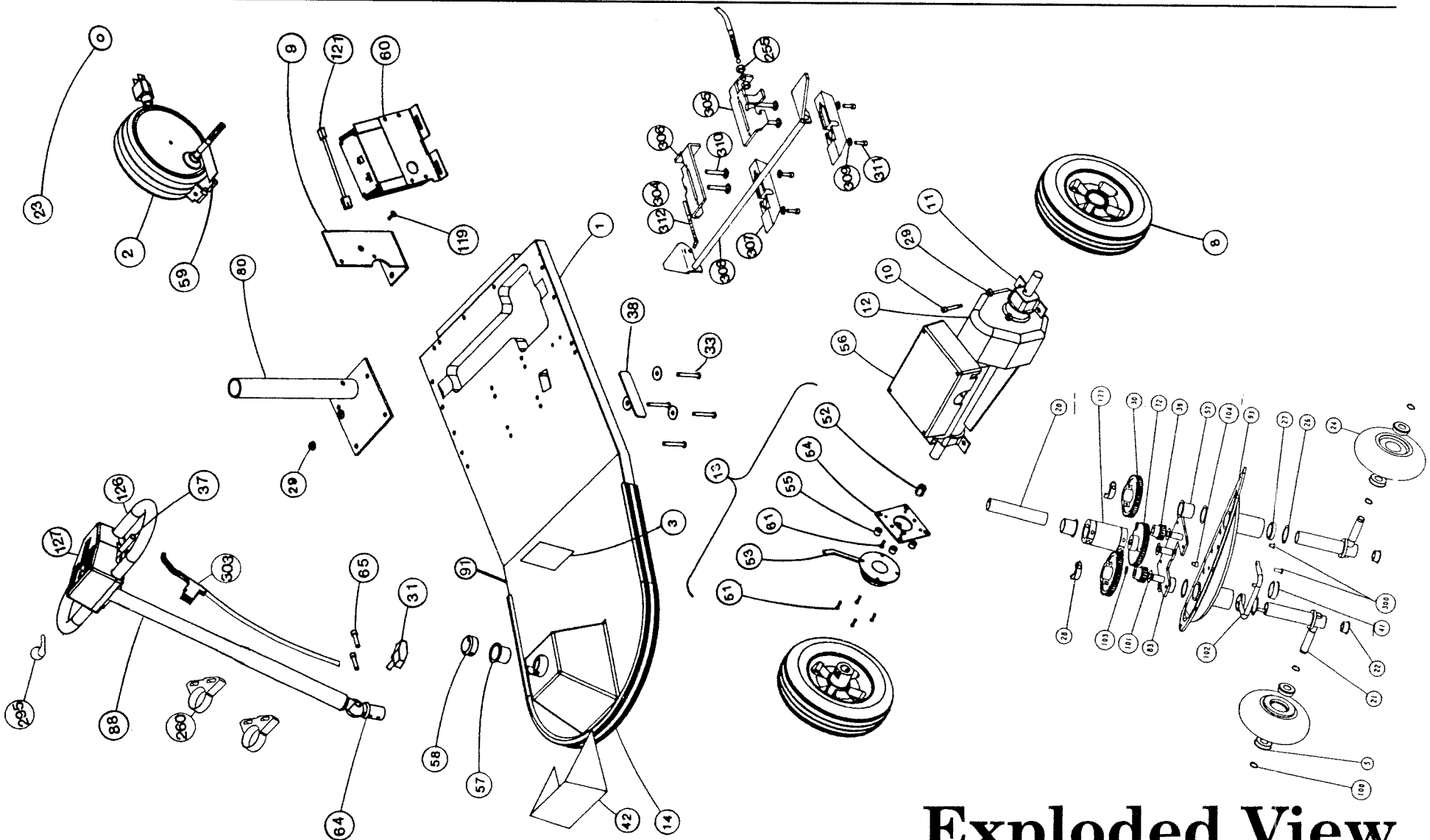




# AMIGO



# IV INDOOR



# Exploded View

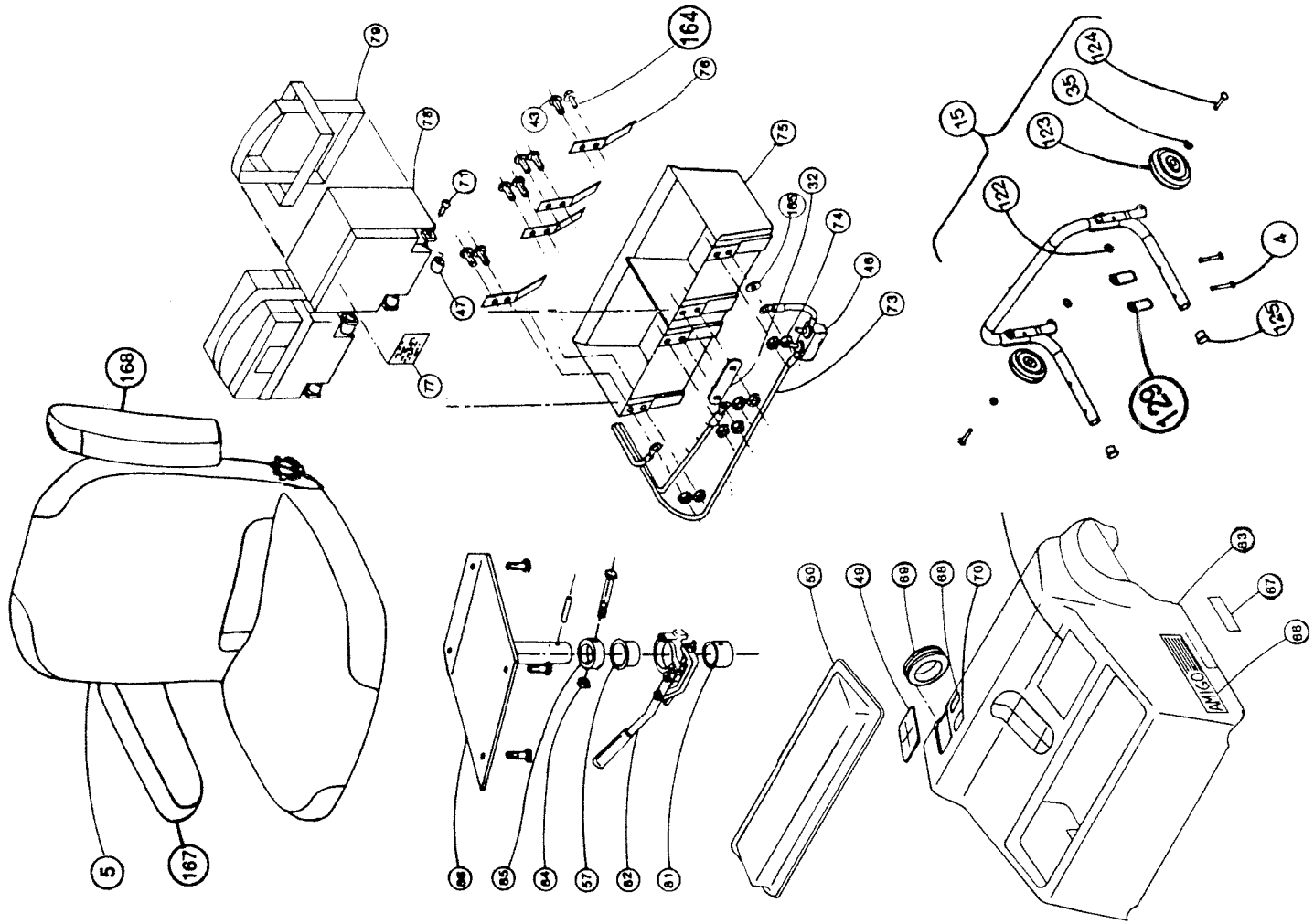
# Amigo IV Indoor Parts List

Ref. #	Item #	Description
1.	7406	Platform, Amigo IV - (Includes #s 38, 75)
2.	7605	Reel - Enclosed w/o Ball - (Includes #s 59, 119)
3.	1281	Label, Owner's
4.	4953	Screw, 1/4-20 x 2.5 Hex HD GR 8 (M6 x 65)
5.	1055	Bearing, Wheel
8.	7352	Wheel Assembly - 10" Solid Rear (23 cm)
9.	6993	Bracket, Charger Reel
10.	5865	Screw, 10 - 24 x 1/4 x 1.25 Shoulder*
11.	5751	Clamp - Mounting
12.	7416	Drive System, UNIPAC® - (Includes #s 13, 19, 51, 52, 54)
13.	7390	Manual Release E/M Brake - (Includes #s 51 - 55, 61)
14.	5233	Bumper Rubber, RWD
15.	7603	Bumper Assembly, Amigo IV - (Includes #s 4, 16, 35, 122 - 125)
16.	8353	Tube, Bumper
20.	7288	Fork Post
21.	6798	Spindle, Amigo IV Indoor
22.	6807	Plug, Amigo IV Spindle
23.	7495	Washer, 1.75 O.D. (45 cm)
24.	4002	Wheel, 6" Solid Black (15 cm)
26.	5413	Washer, Dust Cover
27.	5407	Bearing, Steering Column Ball
28.	6814	Collar, Amigo IV, One-Piece
29.	3083	Nut, 1/4 - 20 Serrated (M6)
30.	6805	Gear, 56-Tooth Output
31.	7279	Knob, Adjustable Handle
32.	6146	Contact, Battery Jumper
33.	4952	Screw, 1/4 - 20 x 2.0 Hex HD (M6 x 50)
35.	5340	Wave Washer
37.	5719	Covers, Pair Adjustable Handle Tab
38.	6304	Velcro, Base
39.	6802	Gear, 18-Tooth Spur
41.	5209	Cap, RWD Wheel Cover
42.		Cover Assembly - Deluxe, Front Navy Blue
43.	1391	Screw, 1/4 - 20 x .50 Button HD (M6 x 12)
44.	1192	Washer, .25 I.D. Flat (M6)
46.	7441	Circuit Breaker, 25 AMP
47.	5200	Terminal, Contact
49.	7145	Seal, Rubber, E/M Brake
50.	6044	Battery Cover Assembly - Navy Blue
51.	7069	Screw, 10 - 32 x .875 (M5 x 22)
52.	6886	Hub, Manual Release E/M Brake
53.	6885	Brake, E/M Manual Release
54.	5811	Plate, RWD E/M Brake Adapter
55.	5832	Spacer, RWD E/M Brake
56.	7804	Controller Assembly
57.	1025	Bearing, Shoulder
58.	300304	Collar Kit, Retaining
59.	7269	Charger/Reel Warning Label
60.	7606	Charger, MPC

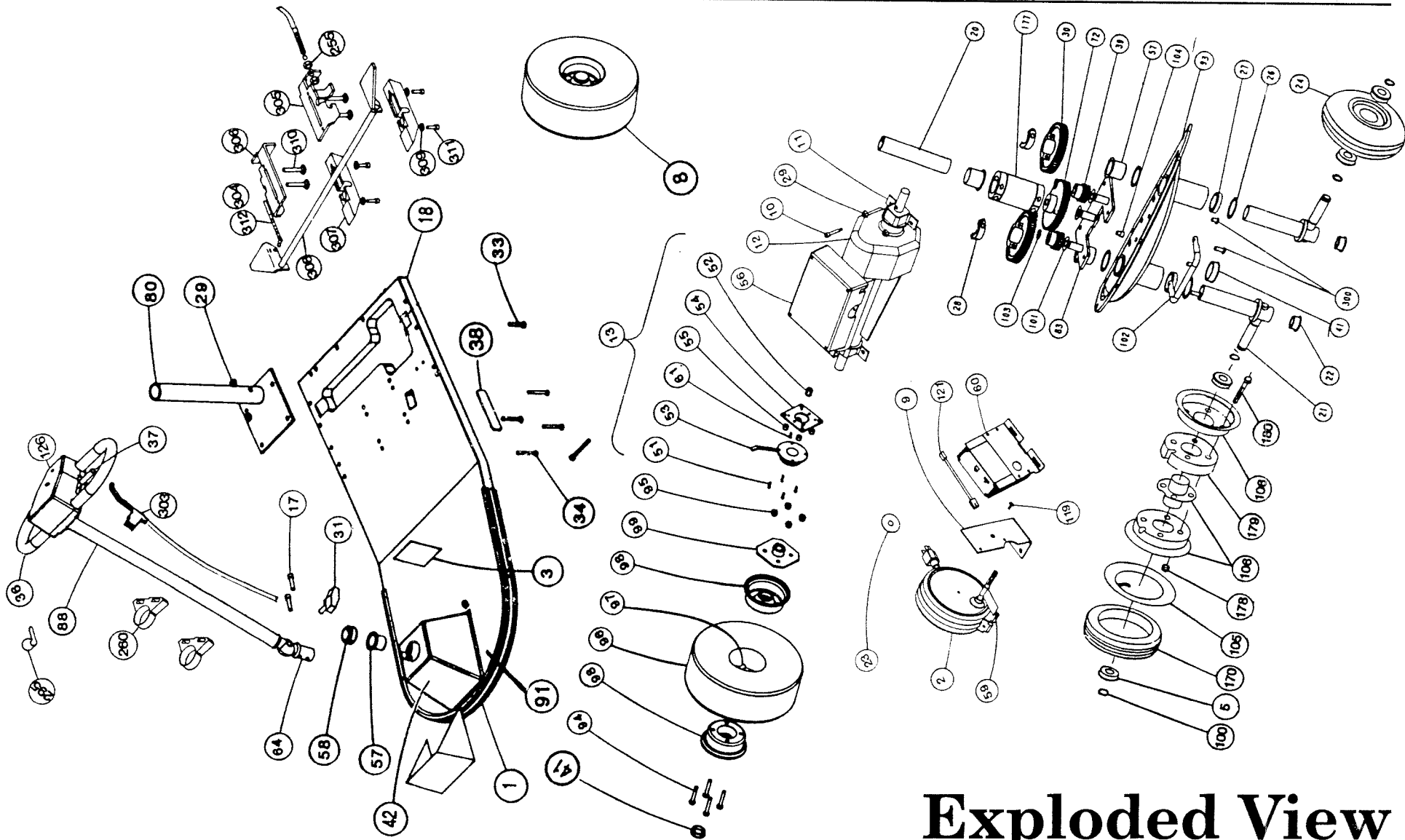
61.	6223	Screw, 10 - 32 x .5 Self-Tapping (M5 x 12)	87.	300183	Flip-Up Arms
62.	5806	Label, RWD Warning	88.	8190	Handle, Deluxe, Single Adjustable
63.	300475	Cover, Rear, Navy Blue - (Includes #s 49, 62, 66 - 70)	89.	300219	Seat, High-Back, Gray, Folding
64.	7272	Articulating Clamp, THD.		300369	Seat, High-Back, Black, Folding - (Includes #90)
65.	7281	Screw, 1/4 - 20 x .875 HSCS (M6 x 22)	90.	300220	Cushion Set, High-Back, Gray, Folding
66.	5326	Label, Left Side, Amigo		300361	Cushion Set, High-Back, Black, Folding
	6749	Label, Right Side, Amigo	91.	7067	Floormat, RWD
67.	6305	Velcro, Rear Cover	93.	7267	Pan, Amigo IV Steering
68.	5944	Label, E/M Brake Release	100.	1040	Retaining Ring, Centering Tube
69.	7202	Grommet Reel Cord	101.	6818	Washer, .50 I.D. x 1 O.D. x .01 Thick (12mm x 25mm x .25mm)
70.	5827	Label, E/M Brake	102.	3528	Handle, Lifting
71.	3973	Screw, 10 - 32 x .50 Button HD (M5 x 12)	103.	6884	Retaining Ring
72.	6804	Gear, 56-Tooth Center	104.	6972	Screw, 1/4 - 20 x .25 Hex. Soc. Cap (M6 x 6)
73.	7437	Wire Assembly - Battery to MPC	119.	7123	Screw, 10 - 24 x .50 (M5 x 12)
74.	1167	Nut, 1/4 - 20 Hex Keps (M6)	121.	7852	Wire Assy.- Charger to Controller
75.	7363	Holder Assembly, Dual Battery - (Includes #s 32, 43, 46, 73, 74, 76)	122.	7600	Push Nut, .250 Diameter (M6)
76.	5204	Contact, Dual Power Cell	123.	5194	Wheel, 3-inch Stability (7 cm)
78.	5198	Battery, RWD	124.	7599	Rivet, 1/4 x 1.50 TRSS HD (M6 x 40)
79.	5202	Harness, Battery Lifting	125.	6463	Plug, EndoFlex® Arm
80.	300265	Lower Seat Post - (Includes #s 29, 34)	126.	7552	Grip, MPC Handle Vinyl
81.	100710	Bearing, Lower w/Pin	127.	7645	Encl. & Pot. Assy - MPC Deluxe
82.	267000	Seat Lock Assembly - RH	129.	7631	Spacer, Amigo IV Bumper
	267500	Seat Lock Assembly - LH	164.	3212	Screw, 1/4 - 20 x .625 Hex HD (M6 x 16)
84.	267001	Stem Collar Screw & Nut	165.	2501	Washer, 1/4 ID Cone Lock (M6)
85.	100690	Stem Collar with Screw & Nut - (Includes #84)	177.	7431	Coupler, Steering - Amigo IV
86.	100670	Upper Seat Post	295.	7997	Key with Extension
			300.	1340	Screw, 1/4 - 20 x .75 Button HD (M6 x 20)



# AMIGO



# IV OUTDOOR



# Exploded View

# Amigo IV Outdoor Parts List

---

Ref. #	Item #	Description
1.	5233	Bumper Rubber - RWD
2.	7605	Reel - Enclosed w/o Ball - (Includes #s 59, 119)
3.	1281	Label, Owner's
4.	7630	Screw, 1/4-20 x 4.0 Hex HD GR 8 (M6 x 100)
5.	1055	Bearing, Wheel
8.	300351	Wheel Assembly - 10" Pneumatic Rear (25 cm)
9.	6993	Bracket, Charger Reel
10.	5865	Screw, 10 - 24 x 1/4 x 1.25 Shoulder*
11.	5751	Clamp, Mounting
12.	7416	Drive System, UNIPAC® - (Includes #s 13, 19, 51, 52, 54)
13.	7390	Manual Release E/M Brake - (Includes #s 51 - 55, 61)
15.	7628	Bumper Assembly, Amigo IV - (Includes #s 4, 35, 122 - 126)
18.	7406	Platform, Amigo IV - (Includes #s 38, 75)
20.	7288	Fork Post
21.	7265	Spindle, Amigo IV
22.	6807	Plug, Amigo IV Spindle
23.	7495	Washer, 1.75 O.D. (M45 O.D.)
24.	7327	Wheel, Gray, 7 1/2" Pneumatic (19 cm)
26.	5413	Washer, Dust Cover
27.	5407	Bearing, Steering Column Ball
28.	6814	Collar, Amigo IV One-Piece
29.	3083	Nut, 1/4 - 20 Serrated (M6)
30.	6805	Gear, 56-Tooth Output
31.	7279	Knob, Adjustable Handle
32.	6146	Contact, Battery Jumper
34.	4952	Screw, 1/4 - 20 x 2.0 Hex HD (M6 x 50)
35.	5340	Wave Washer
36.	7552	Grip, MPC Handle, Vinyl
37.	5719	Covers, Pair Adjustable Handle Tab
38.	6304	Velcro, Base
39.	6802	Gear, 18-Tooth Spur
41.	5209	Cap, RWD Wheel Cover
42.		Cover Assembly - Deluxe, Front Navy Blue
	300406	
43.	1391	Screw, 1/4 - 20 x .50 Button HD (M6 x 12)
44.	1192	Washer, .25 I.D. Flat (M6)
46.	7441	Circuit Breaker, 25 AMP
47.	5200	Terminal, Contact
49.	7145	Seal, Rubber, E/M Brake
50.	6044	Battery Cover Assembly - Navy Blue
51.	7069	Screw, 10 - 32 x .875 (M5 x 22)
52.	6886	Hub, Manual Release E/M Brake
53.	6885	Brake, E/M Manual Release
54.	5811	Plate, RWD E/M Brake Adapter
55.	5832	Spacer, RWD E/M Brake
56.	7804	Controller Assembly
57.	1025	Bearing, Shoulder
58.	300304	Collar Kit, Retaining
59.	7269	Charger/Reel Warning Label
60.	7606	Charger, MPC
61.	6223	Screw, 10 - 32 x .5 Self-Tapping (M5 x 12)
62.	5806	Label, RWD Warning
63.	300473	Cover, Rear Navy Blue

		- (Includes #s 49, 62, 66 - 70)	95.	3603	Nut, 5/16 - 18 Hex Ny-Lock (M8)
64.	7272	Articulating Clamp, THD.	96.	6167	Tire, Gray 10" Pneumatic (25 cm)
65.	7281	Screw, 1/4 - 20 x .875 HSCS (M6 x 22)	97.	6166	Tube, 10" Pneumatic (25 cm)
66.	5326	Label, Left Side, Amigo	98.	4615	Hub, Split Rim
	6749	Label, Right Side, Amigo	99.	6429	Adapter, Split Rim, Rear Wheel
67.	6305	Velcro, Rear Cover	100.	1040	Retaining Ring, Centering Tube
68.	5944	Label, E/M Brake Release	101.	6818	Washer, .50 I.D. x 1 O.D. x .01 Thick (12mm x 25mm x .25mm)
69.	7202	Grommet Reel Cord			
70.	5827	Label, E/M Brake	102.	3528	Handle, Lifting
71.	3973	Screw, 10 - 32 x .50 Button HD (M5 x 12)	103.	6884	Retaining Ring
72.	6804	Gear, 56-Tooth Center	104.	6972	Screw, 1/4 - 20 x .25 Hex. Soc. Cap (M6 x 16)
73.	7437	Wire Assembly - Battery to MPC	105.	7291	Tube, 7 1/2" Wheel (19 cm)
74.	1167	Nut, 1/4 - 20 Hex Keps (M6)	106.	7290	Hub & Rims, 7 1/2" Pneumatic (19 cm)
75.	7363	Holder Assembly, Dual Battery	119.	7123	Screw, 10 - 24 x .50 (M5 x 12)
		- (Includes #s 32, 43, 46, 73, 74, 76)	121.	7852	Wire Assy.- Charger to Controller
76.	5204	Contact, Dual Power Cell	122.	7600	Push Nut, .250 Diameter (M6)
78.	5198	Battery, RWD	123.	5194	Wheel, 3-in. Stability (7 cm)
79.	5202	Harness, Battery Lifting	124.	7599	Rivet, 1/4 x 1.50 TRSS HD (M6 x 40)
80.	300265	Lower Seat Post - (Includes #s 29, 34)	125.	6463	Plug, EndoFlex® Arm
81.	100710	Bearing, Lower, w/Pin	126.	7645	Encl. & Pot. Assy - MPC Deluxe
82.	267000	Seat Lock Assembly - RH	129.	7631	Spacer, Amigo IV Bumper
	267500	Seat Lock Assembly - LH	164.	3212	Screw, 1/4 - 20 x .625 Hex HD (M6 x 16)
84.	267001	Stem Collar Screw & Nut	165.	2501	Washer, 1/4 ID Cone Lock (M6)
85.	100690	Stem Collar with Screw & Nut	170.	5168	7.5" Pneumatic Tire (19 cm)
		- (Includes #84)	177.	7431	Coupler, Steering - Amigo IV
86.	100670	Upper Seat Post	178.	1275	Nut, 5/16 - 18 Hex (M8)
88.	8190	Handle, Deluxe, Single Adjustable	179.	8012	Spacer, Wheel
89.	7339	Seat, Comforflex	180.	1477	Screw, 5/16 - 18 x 1.75 Hex HD (M8 x 45)
91.	7067	Floormat, RWD	295.	7997	Key with Extension
93.	7267	Pan, Amigo IV Steering	300.	1340	Screw, 1/4 - 20 x .75 Button HD (M6 x 20)
94.	5567	Screw, 5/16 - 18 x 2.0 Hex HD (M8 x 50)			



# Brake Parts List (For All Models)

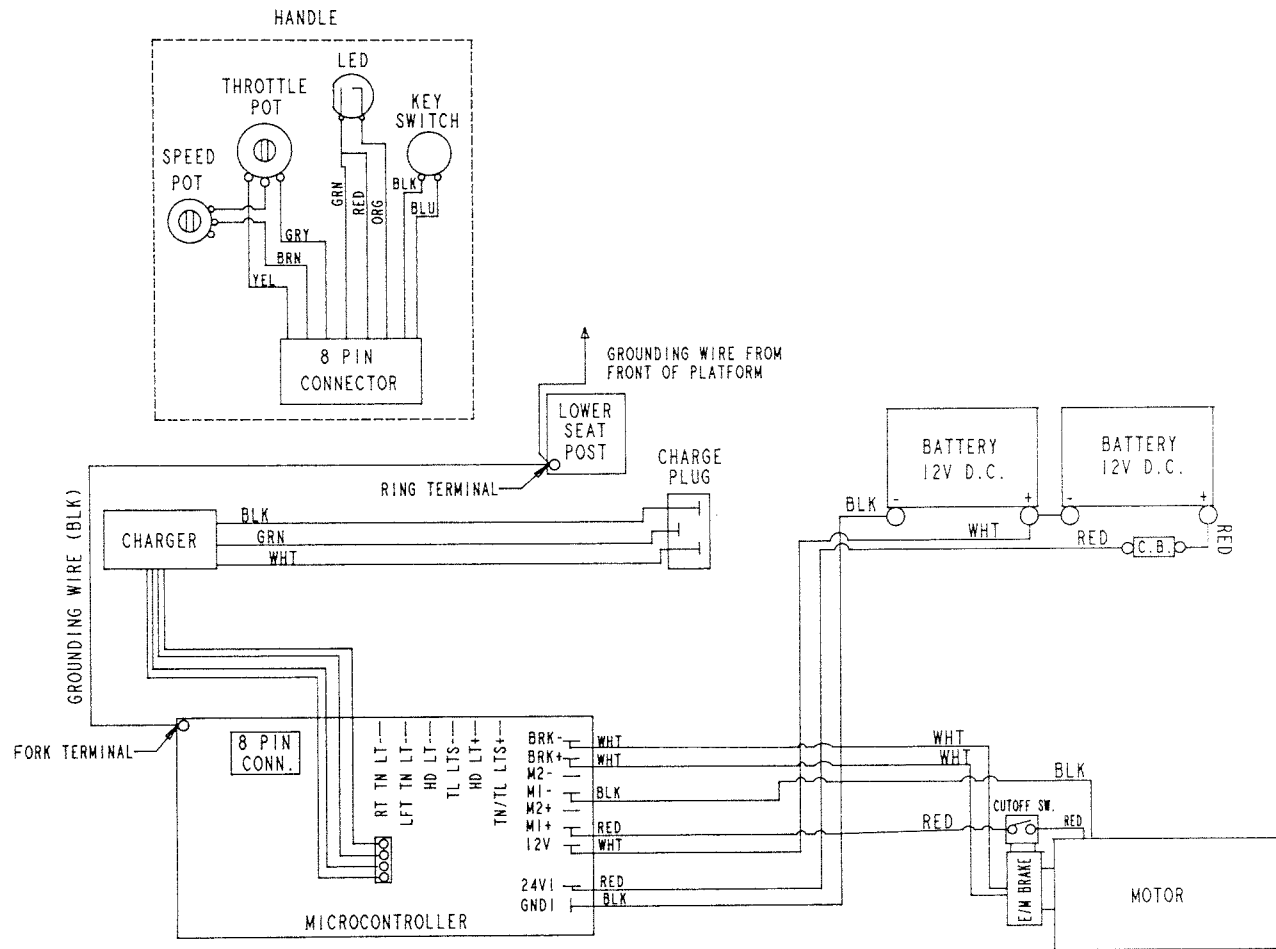
Ref.#	Item #	Description
255	1988	Nut, 5/16 - 24
260	8092	Clamp, Brake Cable
303	8302	Brake Lever & Cable Assembly, RWD
304	8062	Spring, Compression
305	7966	Support, Left Shaft
306	7967	Support, Right Shaft
307	7972	Skid Block
308	7973	Brake Pad Weldment*
309	8009	Washer, .05 O.D. x .21 I.D.
310	6312	Screw, 1/4 - 20 x 1.5 Carriage
311	6899	Screw, #10 - 32 x 5/8 Soc. HD
312	8037	Rod, Spring

*\*If the platform or rear wheels are different than shown in the Owner's Manual, consult the Amigo Service Department for the correct part number.*



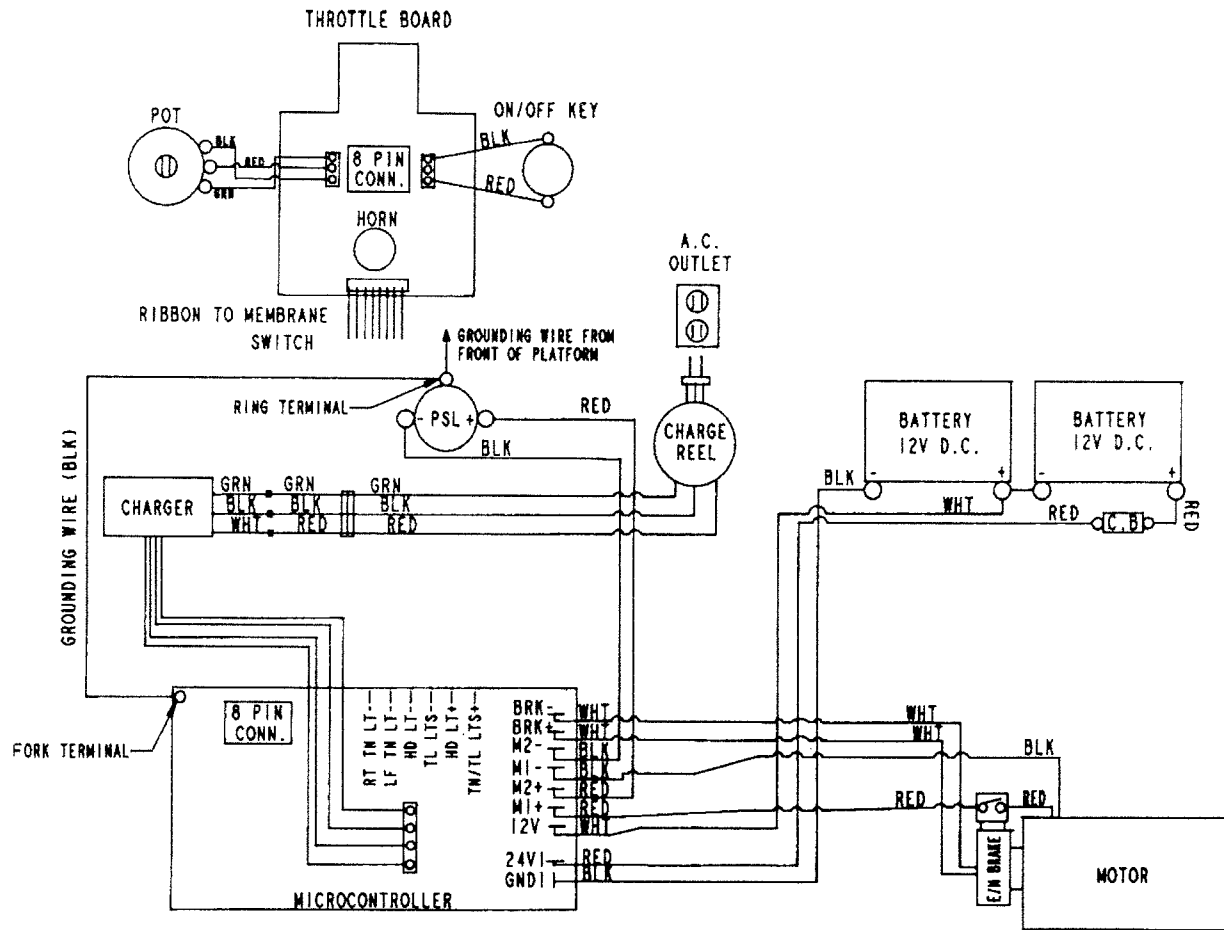
# WIRING DIAGRAMS

## • Amigo Centra A and B •



*If you have a power seat lift, please refer to the Amigo Deluxe wiring diagram.*

• Amigo Deluxe, Amigo IV Indoor & Amigo IV Outdoor •



# Electromagnetic Interference

## Attachment A

### **WARNING: Radio wave sources may affect powered wheelchair control**

Radio wave sources, such as radio stations, TV stations, amateur radio (HAM) transmitters, two-way radios, and cellular phones, can affect powered wheelchairs and motorized scooters (in this text, both will be called powered wheelchairs). Following the warnings listed below should reduce the chance of unintended brake release or powered wheelchair movement which could result in serious injury.

- 1) Do not turn ON hand-held personal communication devices, such as citizens band (CB) radios and cellular phones, while the powered wheelchair is turned ON;
- 2) Be aware of nearby transmitters, such as radio or TV stations, and try to avoid coming close to them;
- 3) If unintended movement or brake release occurs, turn the powered wheelchair OFF as soon as it is safe;
- 4) Be aware that adding accessories or components, or modifying the powered wheelchair, may make it more susceptible to interference from radio wave sources (Note: There is no easy way to evaluate their effect on the overall immunity of the powered wheelchair); and
- 5) Report all incidents of unintended movement or brake release to the manufacturer, and note whether there is a radio wave source nearby.

### **Important Information**

- 1) 20 volts per meter (V/m) is a generally achievable and useful immunity level against interference from radio wave sources (as of May 1994) (the higher the level, the greater the protection);
- 2) The immunity level of this product is not known.

**CAUTION: It is very important that you read this information regarding the possible effects of electromagnetic interference on your powered wheelchair.**

### **Electromagnetic Interference (EMI) From Radio Wave Sources**

Powered wheelchairs and motorized scooters (in this text, both will be referred to as powered wheelchairs) may be susceptible to electromagnetic interference (EMI), which is interfering electromagnetic energy (EM) emitted from sources such as radio stations, TV stations, amateur radio (HAM) transmitters, two-way radios, and cellular phones. The interference (from radio wave sources) can cause the powered wheelchair to release its brakes, move by itself, or move in unintended directions. It can also permanently damage the powered wheelchair's control system. The intensity of the interfering EM energy can be measured in volts per meter (V/m). Each powered wheelchair can resist EMI up to a certain intensity. This is called its "immunity level." The higher the immunity level, the greater the protection. At this time, current technology is capable of achieving at least a 20 V/m immunity level, which would provide useful protection from the more common sources of radiated EMI. The immunity level of this powered wheelchair model is not known.

There are a number of sources of relatively intense electromagnetic fields in the everyday environment. Some of these sources are obvious and easy to avoid. Others are not apparent and exposure is unavoidable. However, we believe that by following the warnings listed below, your risk to EMI will be minimized.

The sources of radiated EMI can be broadly classified into three types:

- 1) Hand-held portable transceivers (transmitters-receivers) with antenna mounted directly on the transmitting unit. Examples include: citizens band (CB) radios, "walkie talkie," security, fire, and police transceivers, cellular telephones, and other personal communication devices. Note: Some cellular telephones and similar devices transmit signals while they are ON, even when not being used;
- 2) Medium-range mobile transceivers, such as those used in police cars, fire trucks, ambulances, and taxis. These usually have the antenna mounted on the outside of the vehicle; and
- 3) Long-range transmitters and transceivers, such as commercial broadcast transmitters (radio and TV broadcast antenna towers) and amateur (HAM) radios. Note: Other types of hand-held devices, such as cordless phones, laptop computers, AM/FM radios, TV sets, CD players, and cassette players, and small appliances, such as electric shavers and hair dryers, so far as we know, are not likely to cause EMI problems to your powered wheelchair.

### **Powered Wheelchair Electromagnetic Interference (EMI)**

Because EM energy rapidly becomes more intense as one moves closer to the transmitting antenna (source), the EM fields from hand-held radio wave sources (transceivers) are of special concern. It is possible to unintentionally bring high levels of EM energy very close to the powered wheelchair's control system while using these devices. This can affect powered wheelchair movement and braking. Therefore, the warnings listed below are recommended to prevent possible interference with the control system of the powered wheelchair.

### **Warnings**

Electromagnetic interference (EMI) from sources such as radio and TV stations, amateur radio (HAM) transmitters, two-way radios, and cellular phones can affect powered wheelchairs and motorized scooters. Following the warnings listed below should reduce the chance of unintended brake release or powered wheelchair movement which could result in serious injury.

- 1) Do not operate hand-held transceivers (transmitters-receivers), such as citizens band (CB) radios, or turn ON personal communication devices, such as cellular phones, while the powered wheelchair is turned ON;
- 2) Be aware of nearby transmitters, such as radio or TV stations, and try to avoid coming close to them;
- 3) If unintended movement or brake release occurs, turn the powered wheelchair OFF as soon as it is safe;
- 4) Be aware that adding accessories or components, or modifying the powered wheelchair, may make it more susceptible to EMI (Note: There is no easy way to evaluate their effect on the overall immunity of the powered wheelchair); and
- 5) Report all incidents of unintended movement or brake release to the powered wheelchair manufacturer, and note whether there is a source of EMI nearby.

### **Important Information**

- 1) 20 volts per meter (V/m) is a generally achievable and useful immunity level against EMI (as of May 1994) (the higher the level, the greater the protection);
- 2) The immunity level of this product is not known.