



AMIGO[®] LIFT-ALL[®] OWNER'S MANUAL



Serial Number: _____

Purchase Date: _____

Read This Manual Before Operating

TABLE OF CONTENTS

Safety First	3
Customized Adjustment Features	3
Installation Instructions for Vehicles with Trunks	4
Mounting the Lift All in Passenger Vehicles	5
Installation Instructions for Vans, Trucks and SUVs	7
Mounting the Lift All in Vans, Trucks, and SUVs	7
Electrical Installation for all Vehicles	8
Operating Your Lift All	9
Troubleshooting/Service Questions	11
Maintenance	12
Warranty	13
Wiring Diagrams	14
Exploded Views	15
Parts Lists	20



Amigo Lift-All®

Thank you for purchasing the adjustable Lift•All®.

This manual will provide you with an understanding of the features, operation, and maintenance of your Lift•All®. Instructions for safe and reliable use are also contained in this manual. Please read it completely before operating the lift.

The Lift•All® is a compact lifting unit. Specially designed, it will assist you in the loading of your Amigo or other power operated vehicle (POV) into the rear storage area of your vehicle. Later, if you purchase another car, your Lift•All® can be easily reinstalled, generally without damage or depreciation to the original vehicle.

The Lift•All® system is easily controlled and powered by your vehicle's battery. When not in use, it folds down securely and is stored out of the way.

THE LIFT•ALL® IS NOT TO BE USED FOR LIFTING ANY OBJECT WEIGHING MORE THAN 200 POUNDS (90.7KG).

It's important to make sure your Lift•All® is covered under the Amigo Limited Warranty by mailing in your Warranty Registration Card. You may also go to the home page on www.myamigo.com and click on warranty registration to submit on-line.



Amigo Mobility International, Inc. (AMI) disclaims any responsibility for personal injury or property damage resulting from the improper or unsafe use of its products.

SAFETY FIRST

- 1) Become familiar with your Lift•All® and your Owner's Manual instructions before operating.
- 2) Do not attempt to lift any POV or other object weighing more than 200 pounds (90.7 kg). Overloading could cause damage to the car trunk and/or your Lift•All®.
- 3) Always load and unload on a level surface.
- 4) After loading your POV into the trunk, make sure no objects come in contact with the electrical switch on top of the boom. Inadvertent operation of the Lift•All® motor in the stored condition could damage the unit.
- 5) Keep hands and fingers clear of the lower boom assembly. Use the black handle on the latch hook assembly to engage or disengage the hook assembly.
- 6) Be sure the forged hook is securely latched to the boom inner end before attempting to lift anything.
- 7) Keep fingers and hands away from the lift S-hook, lift strap webbing, pulley, and other moving parts while operating your Lift•All®.
- 8) Turn off the electric power switch on your POV before loading it into the trunk.
- 9) Lock the parking brake on your POV when it is in the trunk.

When loading and unloading, keep your legs and feet clear of the underside of the POV. In the unlikely event of the mobility aid falling to the ground, injury could result if you are under the lifted POV.

CUSTOMIZED ADJUSTMENT FEATURES

The Lift•All® can be adjusted to load many types of POVs into a variety of vehicles. These adjustment features must be considered when planning for the placement of the Lift•All® prior to installation (Figure 1).

EXTENDABLE LIFT BOOM

This provides for adjusting the boom length from 32 inches (81.28 cm) to 42 inches (106.68 cm). Simply loosen the set screw (#16) and slide the boom extension (#48) inside the lower boom (#19) until the correct length is obtained, which is when the hole on top of the inner boom is exposed and the set screw (#16) is tightened securely.



CAUTION

Do not extend the boom beyond the hole of the boom extension.

Custom Adjustments

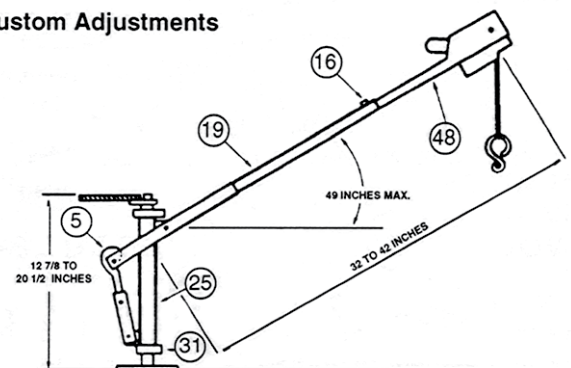


Figure 1

HEIGHT ADJUSTMENT

This enables you to raise the pivot tube (#25) from a minimum height of 12.87 inches (32.68 cm) to a maximum height of 20.5 inches (52.07 cm). Adjust by placing the anchor clamp (#31) as needed.

BOOM ANGLE ADJUSTMENT

This provides for adjusting the boom angle from horizontal to 49 degrees by turning the latch hook (#5).

When the angle is set, tighten the nut on the latch hook.

Custom Adjustments

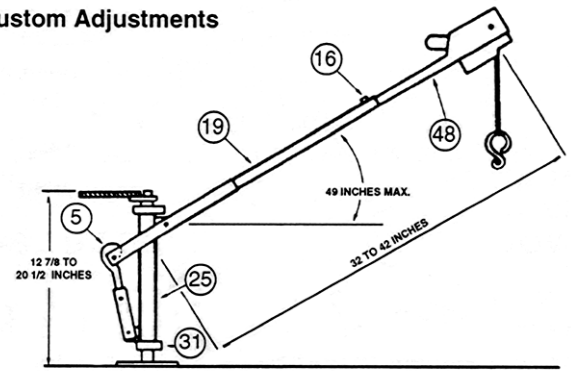


Figure 1

INSTALLATION INSTRUCTIONS FOR VEHICLES WITH TRUNKS

We recommend you have your Lift•All® installed by your local medical supply dealer or a reputable automotive or body shop.

The objective of the installation is to provide a strong level attachment for the base plate and positioning which allows adequate clearance for lifting operations and storage.

Please Read All Instructions Before Operating Lift•All®

LOCATING THE MOUNTING POSITION

Locate a flat metal area at the left rear corner of the trunk. You will need adequate space on the underside of the trunk floor to accommodate the four screws to secure the base plate of the lift. (Figure 2).

Position the post assembly (#1, Figure 2) as close to the rear of the vehicle as possible (minimum 4 inches/10.16 cm). Allow enough room for the boom assembly to swing out of the rear of the open trunk to a position 90 degrees relative to the rear bumper. The base plate of the post assembly may be turned for a better fit and level mounting. Trunks with narrow lateral openings may need extra space between the rear of trunk and mounting bracket.

The post assembly should also be close to the side of the trunk wall (minimum 6 inches/15.24 cm). Allow adequate clearance for the latch hook (#5, Figure 1) as the boom is rotated. This will provide more room for maneuvering the POV into the trunk.

With the post assembly in the preferred position, the distance from the center of the post to the opposite trunk opening must be at least 36 inches/91.44 cm, to accommodate the boom when it is folded for storage.

With the lift in the preferred location, measure the distance from the mounting plate to the lower lip of the trunk opening. There should be at least 17 inches/43.18 cm of the vertical distance to insure adequate clearance between the closed trunk lid and the lift when folded in the stored position.

Note: Check the location of the support ribs on the underside of the trunk lid to make sure that the stored lift will have adequate clearance. Be sure the area beneath the floor is clear of pipes, tubing, and electrical wiring. Note the location of the gasoline tank and STAY CLEAR!

Trunk Mounting Position

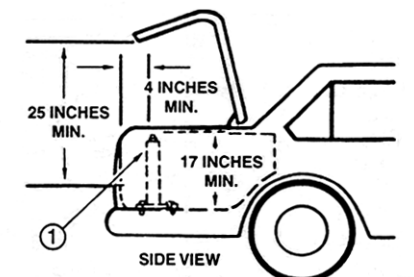
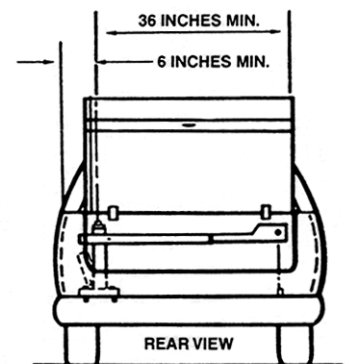


Figure 2

When all clearances are satisfactory, mark the position of all four mounting holes in the post mounting plate on the floor of the trunk.

MOUNTING THE LIFT•ALL® IN PASSENGER VEHICLES

Drill four 3/16-inch (4.8 mm) diameter holes through the trunk floor as previously marked (Figure 3).



WARNING

Before drilling any holes through the trunk floor, note the location of the gasoline tank and **STAY CLEAR!**

Screw the post plate to the floor using the self-tapping screws supplied. Check the post to make sure it is vertical and does not lean to one side. Shim under the base plate if necessary, with washers, and tighten all screws securely.

INSTALLING UPPER SUPPORT BRACKETS AND RODS

The post assembly must be braced at the top to prevent flexing when picking up a POV with the boom. Two support rods (#14) must be connected to the front and side of trunk lip, as shown on Figure 4, or to other suitable support areas. L-brackets (#10) are used to make these necessary connections (See bracket installation).

HEIGHT ADJUSTMENT

Adjust the height of the outer tube pivot assembly (Figure #1) to provide proper boom rotation and clearance. Loosen the anchor clamp (#31) and slide the outer tube pivot assembly to the required height (approximately the same height as the left side lip of the trunk opening).

Lightly tighten the screw in the anchor clamp (#31) so that it fits tightly against the post.

BRACKET INSTALLATION

Using a straightedge, mark the position of the hole to be drilled in the side trunk lip for installation of an L-bracket. Repeat for installation of the front trunk L-bracket.

Drill two 1/4-inch (.635 cm) diameter holes through the trunk drip ledge in the positions marked (Figure 4). Loosely install an L-bracket (#10) at each location using a screw (#8), washer (#11), and a locking nut (#9, Figure 5).

Mounting Holes

4 HOLES
3/16 INCHES (.476 CM)
DIAMETER,
THROUGH
TRUNK FLOOR

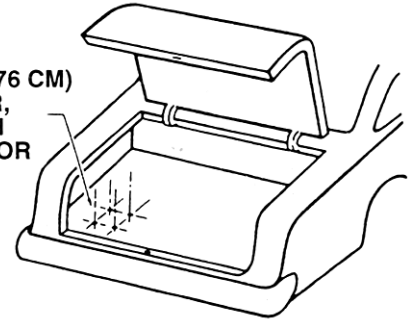


Figure 3

Upper Support Bracket and Rods

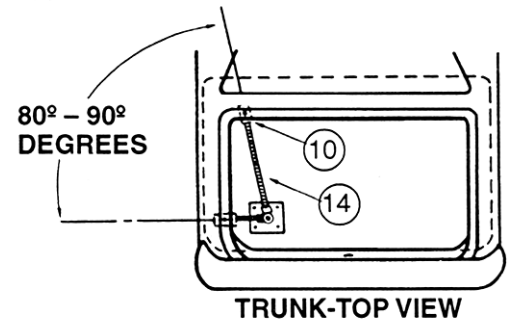


Figure 4

Support Bracket Installation

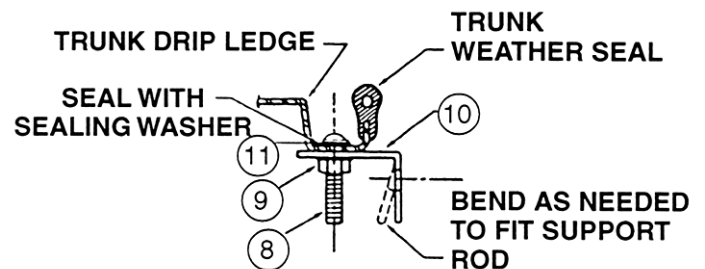


Figure 5

SUPPORT ROD CUTTING

Supplied with your lift is a support rod (#14, Figure 6) consisting of a 7/16-inch (1.11 cm) diameter threaded rod and a plate at each end. This rod can be cut to provide a side support and a front support rod. The rod should not extend past the screw mounting the L-bracket.

First, measure from the center of the post assembly (#1, Figure 2) to the face of the L-bracket (#10, Figure 5) on the trunk side drip ledge. Next, measure the same distance from the center of the hole in one end of the support rod, add 5/8-inch (1.59 cm) and mark. Cut threaded rod at place marked and remove any burrs with a flat file. Thread a nut over the rod end, about 1-1/2 inches (3.81 cm) from the end.

To make the front support rod, repeat the above procedure, measuring the L-bracket on the trunk front drip ledge.

SUPPORT ROD INSTALLATION

Remove the shoulder screw and the top washer from the pivot tube assembly (#25, Figure 1). Insert the side and front support rods through the holes in the appropriate L-brackets (#10, Figure 5).

Line up the holes in the ends of the support rods with the center hole in the pivot tube assembly (#25, Figure 1). Then reinstall washer and shoulder screw and tighten. Install a second nut on the end of each support rod (#14) and tighten both jam nuts until each rod is securely fastened to the bracket.

Supplied with the lift is a plastic piece of wire loom 36 inches (91.44 cm) long. This can be measured and cut to fit over the two rods to protect other objects in the trunk.

INSTALLING THE BOOM HOLD-DOWN



WARNING

Before drilling any holes through the floor in the rear of the vehicle, note the position of the gas tank and **STAY CLEAR!**

Drill a 11/32-inch (8.7 mm) diameter hole in the floor directly under the spool when the boom is folded down for storage, parallel to the rear door (See Figure 8).

Install the supplied eye bolt through the above hole. Thread a nut on the eye bolt on the underside of the floor and tighten securely.

Now, lower the boom assembly into the storage position and adjust the shock cord hook to the proper length to hold the boom down. To adjust the length of the shock cord, loosen the knot on the hook end of the cord and move it away from the end of the cord until the appropriate length is reached. Tighten the knot securely and firmly place the hook over the knot. Remove any excess shock cord.

Upper Support Rods

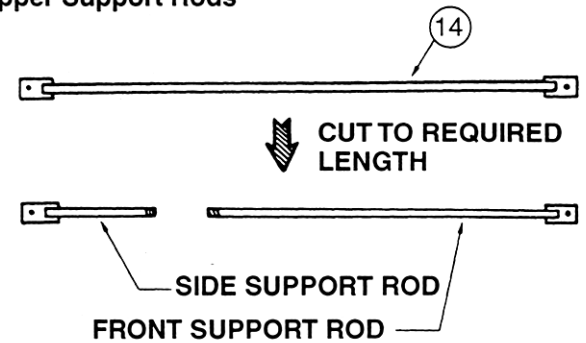


Figure 6

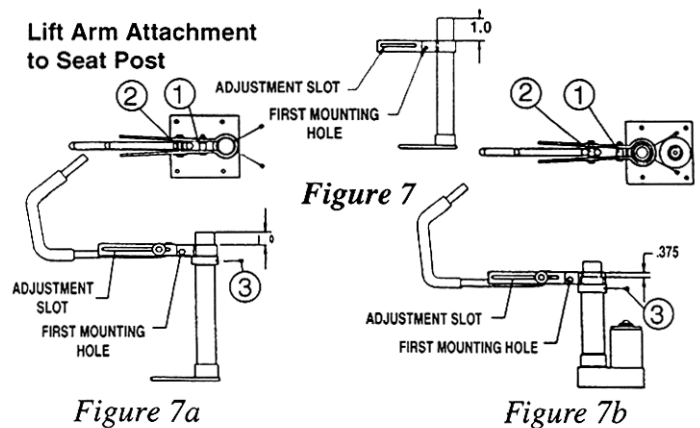


Figure 7a

Figure 7b

Preparing To Lift Vehicle

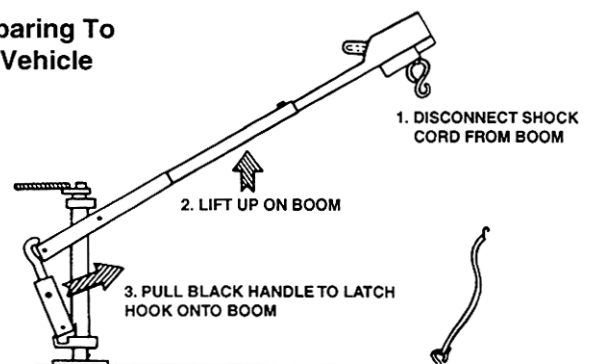


Figure 8

NOTE: The shock cord must be adjusted to the proper length to keep the boom assembly from moving freely to avoid damaging the Lift•All® or the trunk lid.

INSTALLATION INSTRUCTIONS FOR VANS, TRUCKS AND SUVs

Installation of Lift•All® in vans and SUVs or other vehicles where adequate structure for support rods (Figure 6) is not available may require support bracket.

LOCATING THE MOUNTING POSITION

Locate a flat metal area of the vehicle floor in the rear corner. Position the support bracket 6" (15 cm) min. as close to the rear door and inside wall as possible without interfering with the door operation. Use the left hand support bracket for left rear corner mounting and the right hand support bracket for right hand corner mounting. Allow a minimum of three inches (7.6 cm) of space between inside base panel of the vehicle's door or tailgate and the round post of the support bracket. Select and mark one hole in each of the three mounting positions. Check the underside of the vehicle to be sure that the holes are accessible and will not interfere with any structural members.

NOTE: For maximum support, try to use the mounting holes closest to the end of the tube.

MOUNTING THE LIFT•ALL® IN VANS, TRUCKS, AND SUVs



WARNING

Before drilling any holes through the floor of the trunk, note the position of the gas tank and STAY CLEAR!

Note: Refer to figure 3 on page 5. Also note fold down seats and storage compartments.

Drill three 1/4-inch (6.4 mm) diameter holes through the floor of vehicle as previously marked. Place a screw through the cone washer and the proper hole in the support bracket and floorboard. One large flat washer should be placed over the screw below the floor. Install and tighten the hex nut securely. Repeat the procedure with the other two mounting screws.

Install the pivot tube assembly over the round tube on the support bracket. Set the coupling of the connector over the square tube of the support and install screw and nut.

Tighten fasteners securely so that there is no play between support bracket and the Lift•All® assembly.

VAN BRACKET VERTICAL HEIGHT ADJUSTMENT

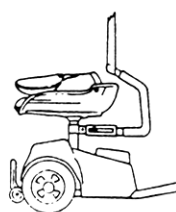
Adjust height by removing the 5/16" screw #5567 (See exploded diagrams and parts list) and raising the connector weldment #5660 to the desired height; replace and tighten the screw. The screw #5567 should be completely inserted through the hole in the connector weldment and the van bracket upright tube.

PROPER SEAT POSITIONING WHEN USING THE VAN "C" ATTACHMENT

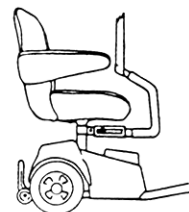
Folding Seat – face seat 180 degrees away from attachment

Comfortlex Seat – face seat directly towards attachment

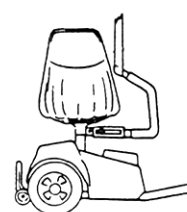
Contour Seat – face seat 90 degrees away from attachment



Folding Seat



Comfortlex Seat



Contour Seat

INSTALLING THE BOOM HOLD-DOWN

Before drilling any holes through the floor in the rear of the vehicle, note the position of the gas tank and **STAY CLEAR!**

Drill a 11/32-inch (8.7 mm) diameter hole in the floor directly underneath the spool when the boom is folded down for storage, parallel to the rear door (See Figure 8).

Install the supplied eye screw through the above hole. Thread a nut on the eye screw on the underside of the floor and tighten securely.

Now, lower the boom assembly into the storage position and adjust the shock cord hook to the proper length to hold the boom down. Remove any excess shock cord.

NOTE: The shock cord must be adjusted to the proper length to keep the boom assembly from moving freely to avoid damaging the Lift•All® or the trunk lid.

ELECTRICAL INSTALLATION FOR ALL VEHICLES

Note: Refer to Electrical Wiring Diagram on enclosed Parts List.



WARNING

Disconnect your vehicle battery before starting the electrical installation.

Route the red wire assembly from the engine compartment through the vehicle into the trunk area. Connect the wire to one end of the circuit breaker. Then crimp the ring terminal to the wire in the engine compartment and the insulated, quick-disconnect terminal to the end in the trunk compartment, trimming the wire to the proper length while allowing a little extra room for play.

The booster battery bolt provided replaces the bolt holding the positive (+) battery lead to the battery. Next, attach the ring terminal to the battery bolt and tighten securely. Install the fuse provided in the fuse holder. Keep the extra fuse in a safe place in case it is needed.

Install the wire loom over the red power wire assembly from the battery to the fuse holder and from the fuse holder to the firewall. Use a Ty-Rap® to secure the wire assembly out of the way.

ON CARS

Attach the black ground wire assembly from the bottom to the side L-bracket (#10, Figure 5), using the screw and keps nut.

ON VANS & SUVs

Connect the black ground wire assembly from the Lift•All® boom to the vehicle chassis with the self-tapping screw provided.

Note: Make sure the ground attachment point is clean and free from paint, oil, and carpeting before attaching the ground wire.

Install wire loom over the red power wire assembly from the quick-disconnect terminal to the trunk wall.

Connect the insulated terminals at the ends of the two red power wires in the trunk compartment.

INSTALLATION OF STANDARD LIFT ARM ASSEMBLY

The Lift•All® is designed to pick up your POV using a lift arm attached to the seat post (Figure 7)



WARNING

Make sure your seat post is securely mounted to your vehicle platform.

A support collar has been added to the lift arm bracket over the seat post. You must fasten the support collar first by inserting both 1/4-20 x 5/16 (#5379) long set screws into the support collar and using a 1/8" Allen wrench to tighten down the set screws securely against the seat post. Resume with the following instructions to tighten down the spacers.

Provided are two spacers, two bolts, two nuts, two washers, and two set screws that are used in assembling your lift arm. Note: Refer to the enclosed Lift•All® Parts Diagram.

Permanently secure the lift arm (#7545 STD) one inch below the top of the seat post (Figure 7), extending toward the front of the vehicle. Insert both set screws (#5379) into the rear of the lift arm and tighten the set screws against the seat post. Place one spacer (#7238) inside the lift arm bracket, aligning the center with the first mounting hole. Insert one of the bolts (#1344) through the bracket and spacer and fasten with one of the nuts (#3083) (#1, Figure 7a). If you have a power seat lift which electronically raises and lowers your seat, be sure the lift arm assembly (#7544) is mounted on the outer tube, NOT on the inner moveable tube, and the top of the bracket is 3/8 inch (.95 cm) above the outer tube (Figure 7b).

After installing the lift arm on the seat post, take the second bolt (#1344) and place a washer (#5893) on it. Place your second spacer inside the lift arm aligning the center with the adjustment slot. Thread the bolt through the arm and spacer, and then place the second washer over the bolt. Fasten the bolt with the second nut.

Adjust this second spacer over the estimated center of the weight of the vehicle and tighten securely (#2, Figure 7a). Next, raise the Lift•All® boom to the operating position, and swing out over the rear trunk opening. (Refer to section "Operating Your Lift•All®", on page 9.)

Lower the boom S-hook and attach it to the lift arm assembly (#2, Figure 7a). Raise your POV off the ground 2-3 inches (5.08 - 7.62 cm) and observe whether it is level. If not, lower the POV and relocate the second spacer along the adjustment slot until the POV is level.

LIFT BRACKET INSTALLATION (OPTIONAL)

The optional lift bracket can be used in vans or SUVs to lift the entire POV without removing the seat and/or handle. It is installed in place of the standard S-hook.

To attach the lift bracket to the lift webbing, remove the button head screw and one retaining collar from the tube. Place the tube through the loop in the webbing directly over the J-hook on the other end of the lift bracket. Reinstall the set collar and the button head screw and tighten the screws securely.

OPERATING YOUR LIFT•ALL®

Upon raising your lift strap, make sure that the top of the S-hook does not go past the bottom of the strap enclosure. Keep strap twisting to a minimum. Before lifting your mobility aid, make sure the end of the S-hook is completely engaged around adjustment spacer. (Figure 7a, No. 2 adjustment spacer.)

STEPS TO LOADING POV INTO TRUNK

- 1) Unhook the shock cord from the end of the boom. Lift the boom until you can latch the S-hook over the 1/2-inch (1.27 cm) diameter bolt at the boom inner end using the black handle (Figure 8).
- 2) Park your POV close to the car, parallel to the rear bumper. Remove the seat from the POV. Remove or fold down the drive handle of the POV.

3) Swing the boom out until the boom outer end is over the lift arm attached to your seat post. Push DOWN on the electrical switch located at the boom outer end to lower the S-hook. Attach the S-hook to the adjustment spacer (Figure 7a, No. 2) on the lift arm. Make sure the lift strap webbing is straight and not twisted (Figure 9).

4) Press UP on the electrical switch until your POV wheels clear the top edge of the trunk opening. Steady the POV with your hand as it is lifted.

While lifting your POV, make certain that your hands are clear of the S-hook. Make sure the top of the S-hook does not go past the bottom of the strap enclosure and that the S-hook is completely engaged in the bar.

5) Slowly swing the boom toward the side of the trunk and turn the suspended POV so it will clear the sides of the trunk.

6) Press DOWN on the electrical switch and slowly lower your POV onto the floor of the trunk guiding it with your other hand (Figure 10).

7) Remove the S-hook from the lift arm on your POV's seat post. Lift up the outer end of the boom and unlatch the S-hook from the boom inner end.

8) Lower the boom to a horizontal position and reattach the shock cord hook.

9) Place the seat and other components of your POV in the trunk and carefully close the lid.

TO UNLOAD YOUR POV, REVERSE ABOVE PROCEDURES.

Preparing
To Lift
Vehicle
Into
Trunk

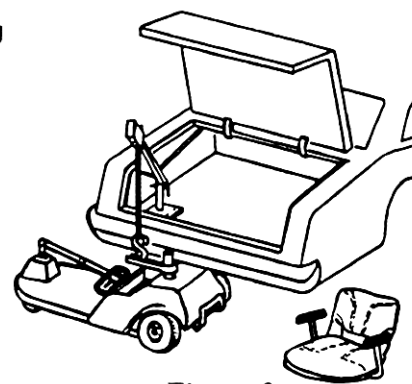


Figure 9

Lowering Vehicle Into Trunk

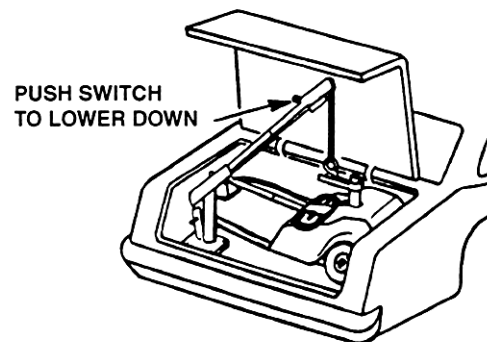


Figure 10

TROUBLESHOOTING/ SERVICE QUESTIONS

Question? *The lift hook goes up when I press the switch to the down position.*

POSSIBLE SOLUTION: The lifting strap (#3077) is wound backwards around the spool assembly (#980008). To correct this, press the switch in the UP position and hold it there until the strap completely winds up again.

Question? *My Lift-All® works fine without my POV attached, but when I try to lift it, it lifts slowly or not all the way to the top.*

Possible Solutions:

- 1) Make sure that the black ground wire from the boom is grounded properly to the L-bracket.
- 2) Try lifting your POV with the car engine running. Your car battery may be weak.
- 3) Clean and tighten the booster bolt connection to the car battery and the red power wire.

Question? *My Lift-All® will not work at all.*

Possible Solutions:

- 1) Check fuse in red power wire assembly running from car battery. Replace fuse if it has blown. An extra fuse has been provided with the unit.
- 2) Reset the circuit breaker (#5595).
- 3) Check lift for loose wire connections.
- 4) Check lift motor and replace it if not functioning.

Question? *My lift works, but it stops intermittently.*

Possible Solutions: Check for loose wire connections.

Question? *My lift works in only one direction.*

Possible Solutions:

- 1) Check for loose wire connections to the switch (#341035).
- 2) Replace defective switch.

Question? *The rear of my POV hangs lower than the front when being lifted. How can I make it level?*

Possible Solutions: Loosen adjustment spacer, then lift your POV 2-3 inches (5.08 - 7.62 cm) off ground and slide spacer until vehicle is level. Make sure the spacer is then tightened securely.

If these suggestions do not solve the problem, please call our Service Hotline: 1-800-248-9131 or your local Amigo representative.

MAINTENANCE RECOMMENDED FOR YOUR LIFT•ALL®

Proper maintenance is the key to long life for your Lift•All®. Take a moment to review these suggestions and keep them handy for future reference.

EVERY THREE MONTHS

BRACKET MOUNTING BOLTS: Retighten the bracket mounting bolts after the first 90 days of use.

GEAR MOTOR ASSEMBLY: Check the lift strap retainer screw and tighten as required.

LIFT STRAP: Check the lift strap for unusual wear and replace if needed.

POWER WIRE ASSEMBLY: Check the connections at the battery, fuse, and other connections under the hood for corrosion. Clean and coat with a light layer of grease as needed.

EVERY SIX MONTHS

FASTENERS: Check all nuts, bolts, and screws every six months to make sure they are tight.

LIFT-All® WARRANTY

3-Year Limited Warranty – Effective July 9, 2003

Amigo Mobility International, Inc. (AMI) warrants the original completed product to manufacturers to the original purchaser.

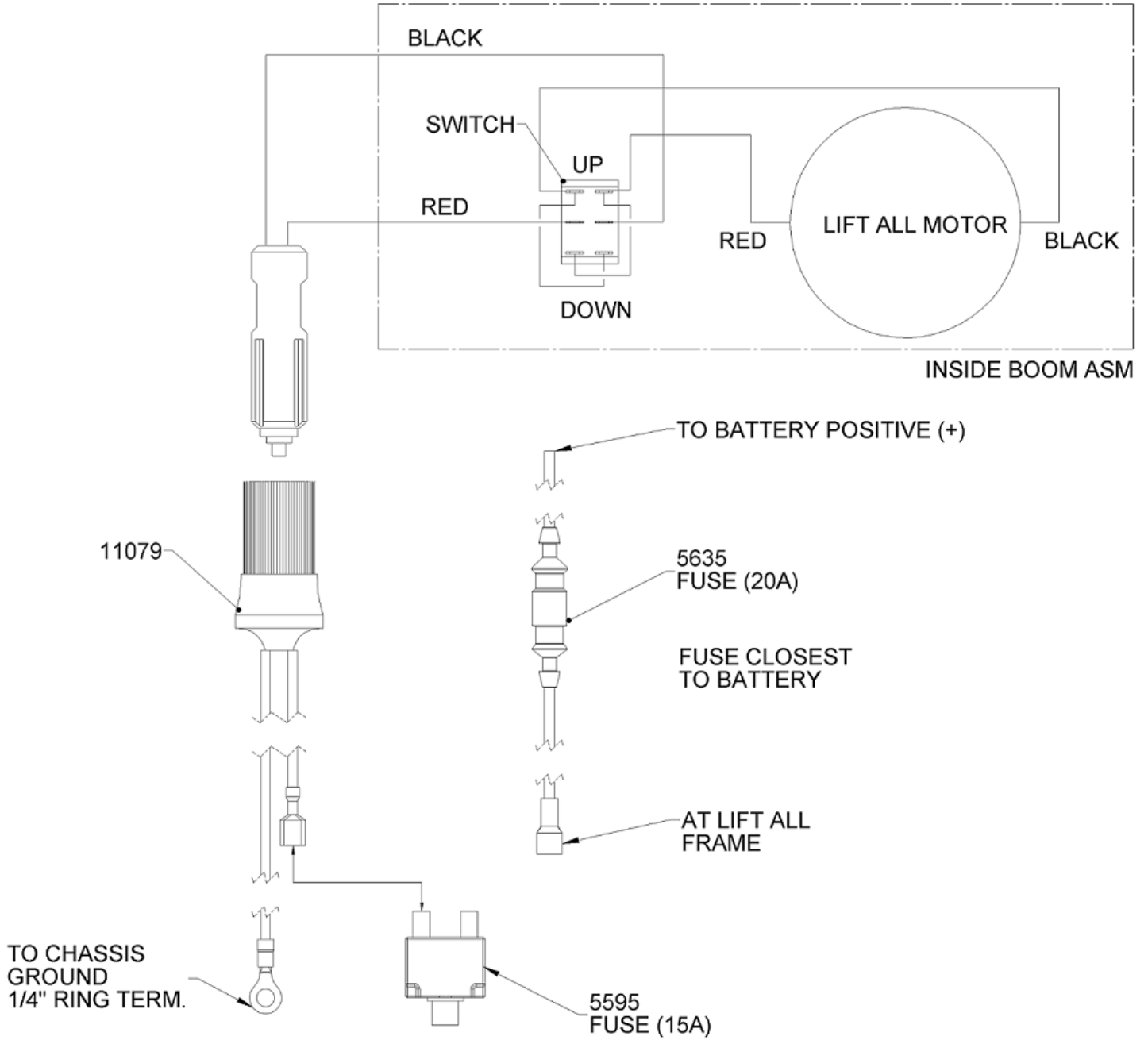
1. Structural components have a 3-year limited warranty against defects in materials and workmanship.
2. Motor and gear assembly are warranted against defects in materials and workmanship for two (2) years.
3. **Weight Restrictions:** Use of this product with a load in excess of 200 lbs. (90 kg) is not recommended and voids warranty.
4. After sixty (60) days, labor will be charged on warranty repairs, except where law prohibits.
5. Items replaced under warranty, are covered by the original warranty. (Warranty replacement does not extend the warranty period.)
6. AMI is obligated to repair or replace products or parts returned by the purchaser, and found to be defective under warranty at its headquarters in Bridgeport, Michigan.
7. For unit and parts, this warranty does not cover accidental damage, misuse, normal wear and tear, such as electrical and mechanical switches, wires, belts, chains and resistors, or use of products for other than personal purposes. Damage during shipment is not covered by the warranty.
8. If inspection determines that a returned part or unit is fully functional, it will be returned at the expense of the owner. Opening sealed components will void the warranty.
9. Accessories and parts that are not a part of the original completed unit, or rebuilt units, will have a one (1) year warranty against defects in materials and workmanship.

This warranty begins when the unit is sold to the original owner. If warranty information, such as owner's name, serial number or date of purchase is not available, then AMI will use the production date of the unit as the effective warranty date.

This warranty supersedes and is in lieu of all other warranties, expressed or implied, and no person, agent or dealer is authorized to give any warranties on behalf of AMI, nor to assume for AMI any other liability concerning any of its products unless made in writing and signed by an official of AMI. Any unauthorized repair or modification will void this warranty and release AMI from any liability.

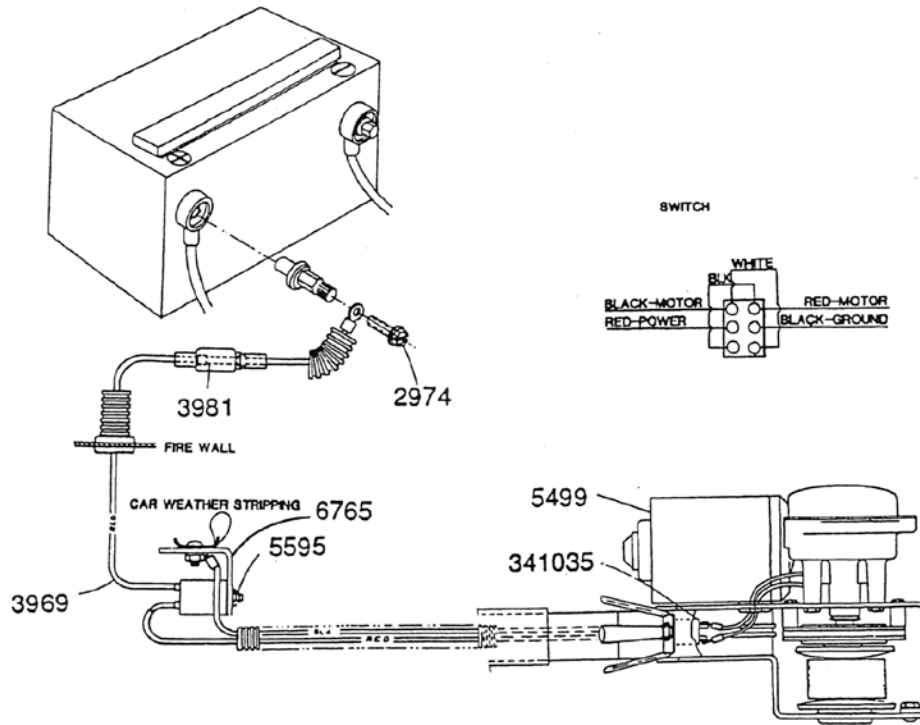
This warranty gives you specific rights, with the possibility of other rights, which vary depending upon your locality.

WIRING DIAGRAMS



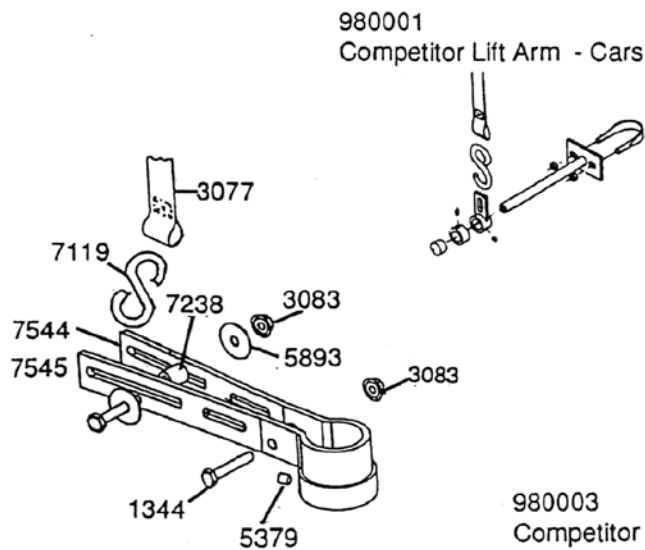
Electrical Wiring Diagram

(#3970) Trunk Lift Wiring Update Kit

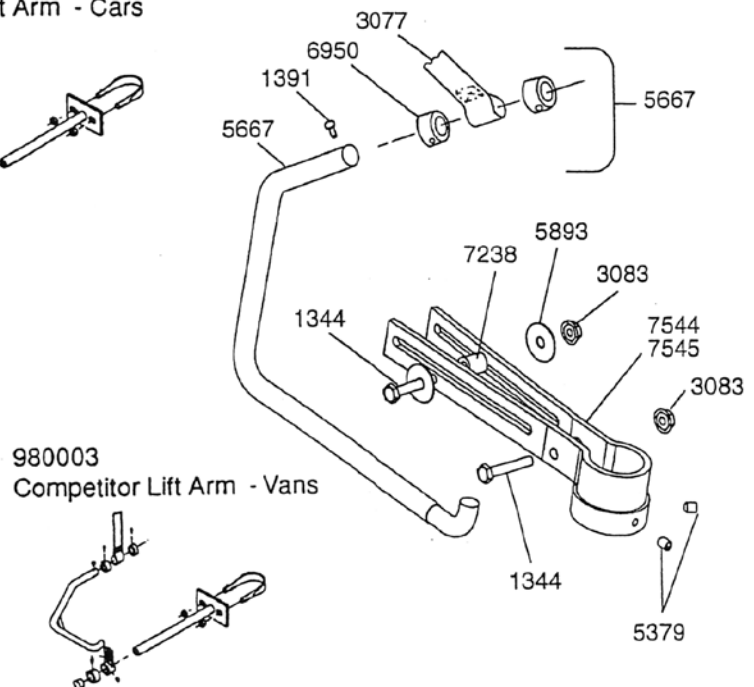


EXPLODED VIEWS

Standard Lift Arm



Van Lift Arm (Lifting POV with seat)

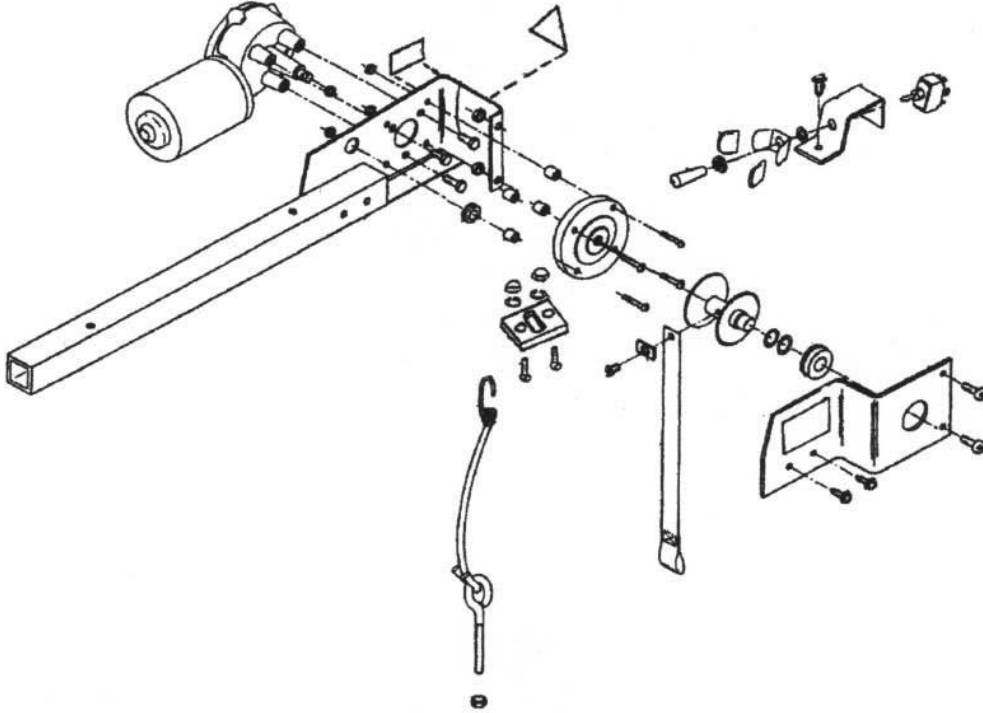


EXPLODED VIEWS

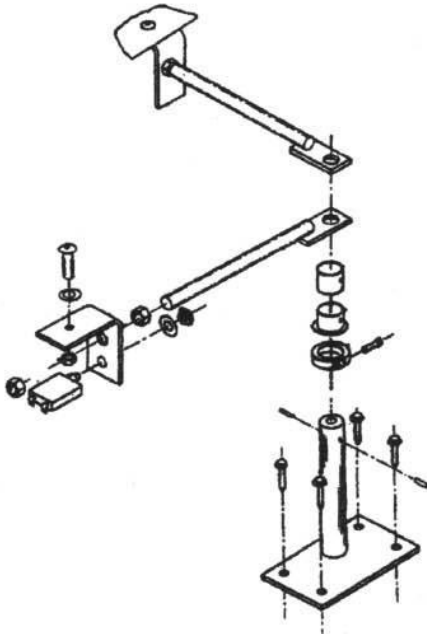
#980000 AMIGO LIFT-ALL (COMPONENT VIEW)

SERIAL NUMBER BL01001 OR AMI0000001 TO PRESENT (4/98 - PRESENT)

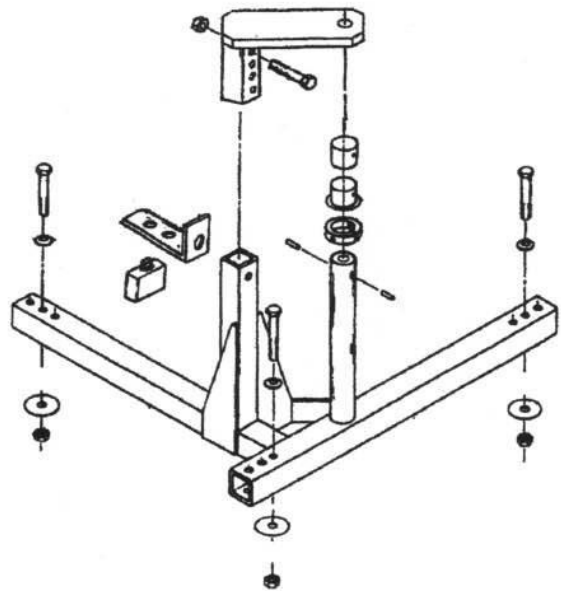
UPPER BOOM & MOTOR ASSEMBLY (#5621)



COMPONENT FOR TRUNK INSTALLATION (#7459)



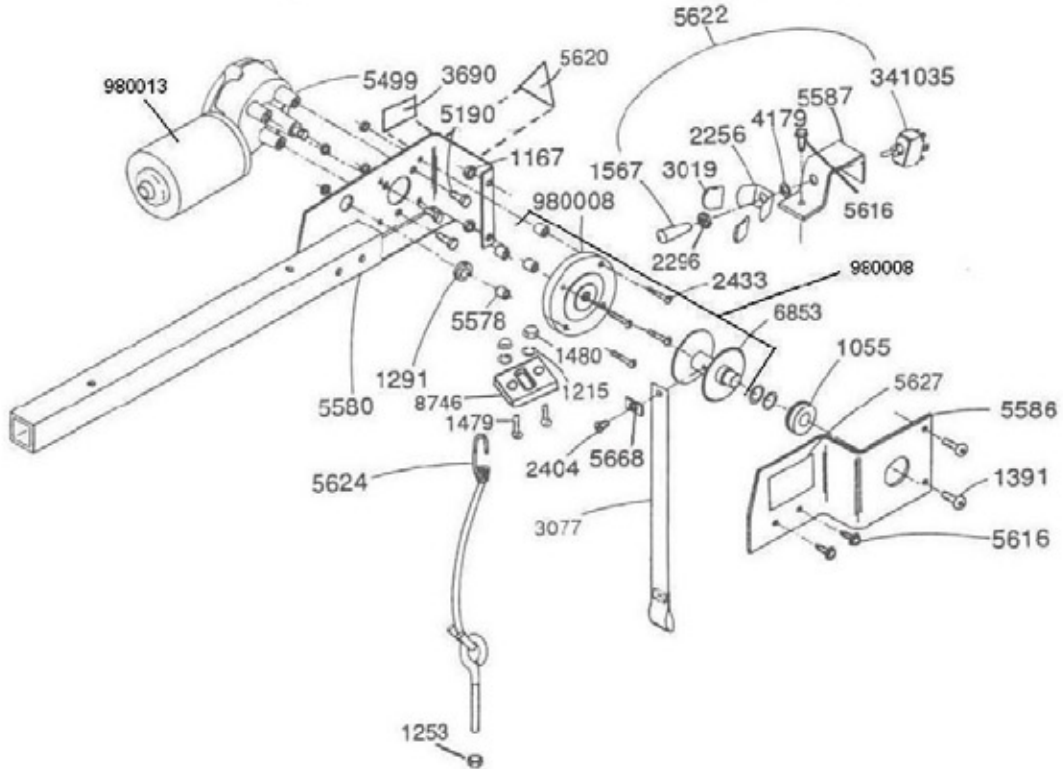
COMPONENT FOR VAN INSTALLATION LEFT HAND (#980004) RIGHT HAND (#980019)



#980000 AMIGO LIFT-ALL® (EXPLODED VIEW)

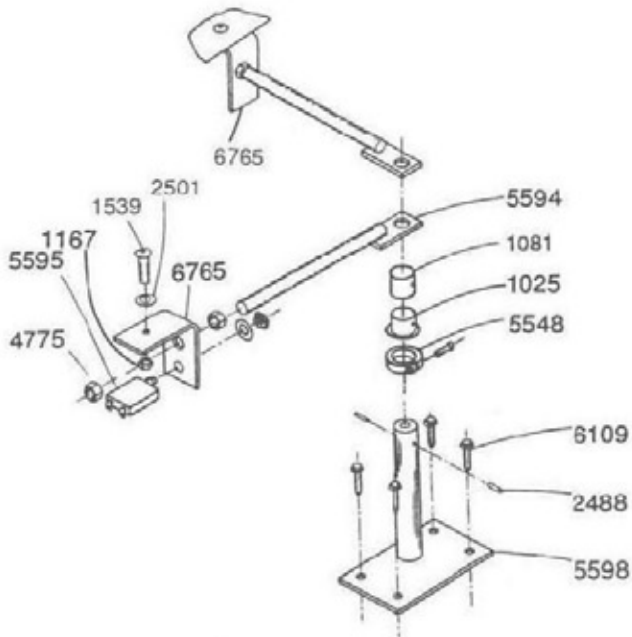
SERIAL NUMBER BL01001 OR AMI0000001 TO PRESENT (4/98 - PRESENT)

UPPER BOOM & MOTOR ASSEMBLY (#5621)



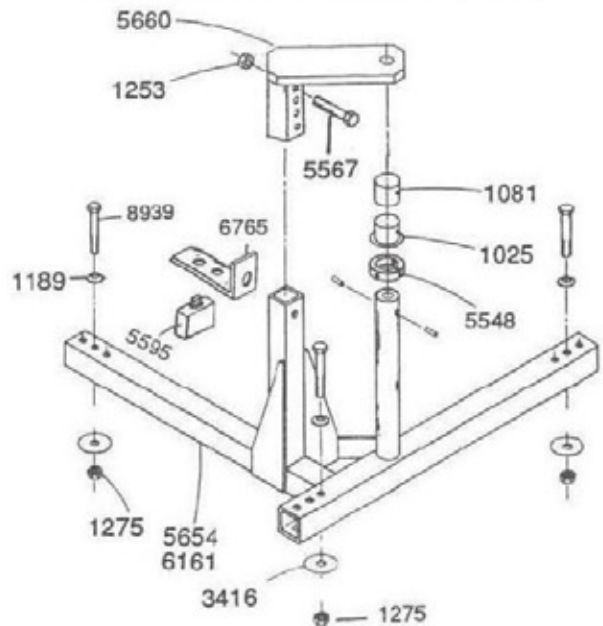
HARDWARE FOR TRUNK INSTALLATION

STANDARD CAR MOUNTING BRACKET (#CARMT)
TRUNK REINSTALLATION KIT (#7459)



BRACKETS FOR VAN INSTALATION

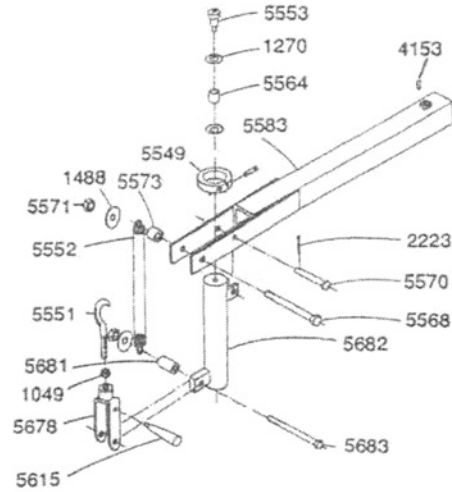
LEFT HAND VAN INSTALLATION BRACKET (#980004)
RIGHT HAND VAN INSTALLATION BRACKET (#980019)



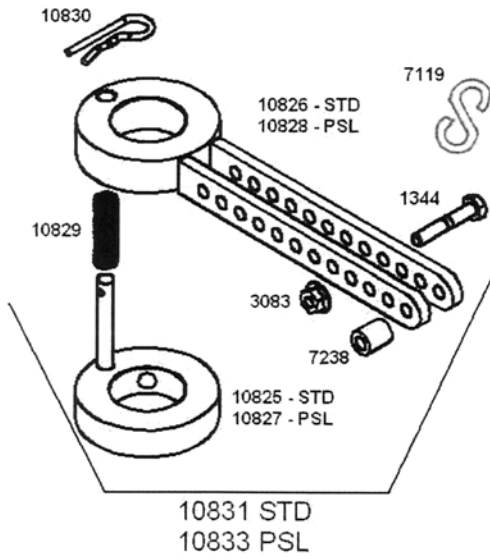
#980000 AMIGO LIFT-ALL® (EXPLODED VIEW)

SERIAL NUMBER BL01001 OR AMI0000001 TO PRESENT (4/98 - PRESENT)

LOWER BOOM ASSEMBLY (#5579)

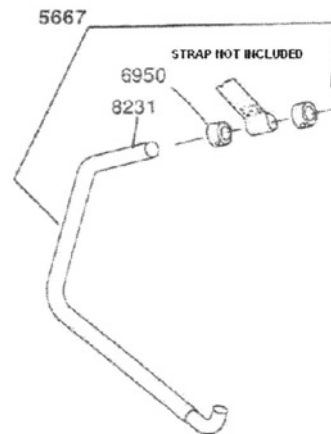


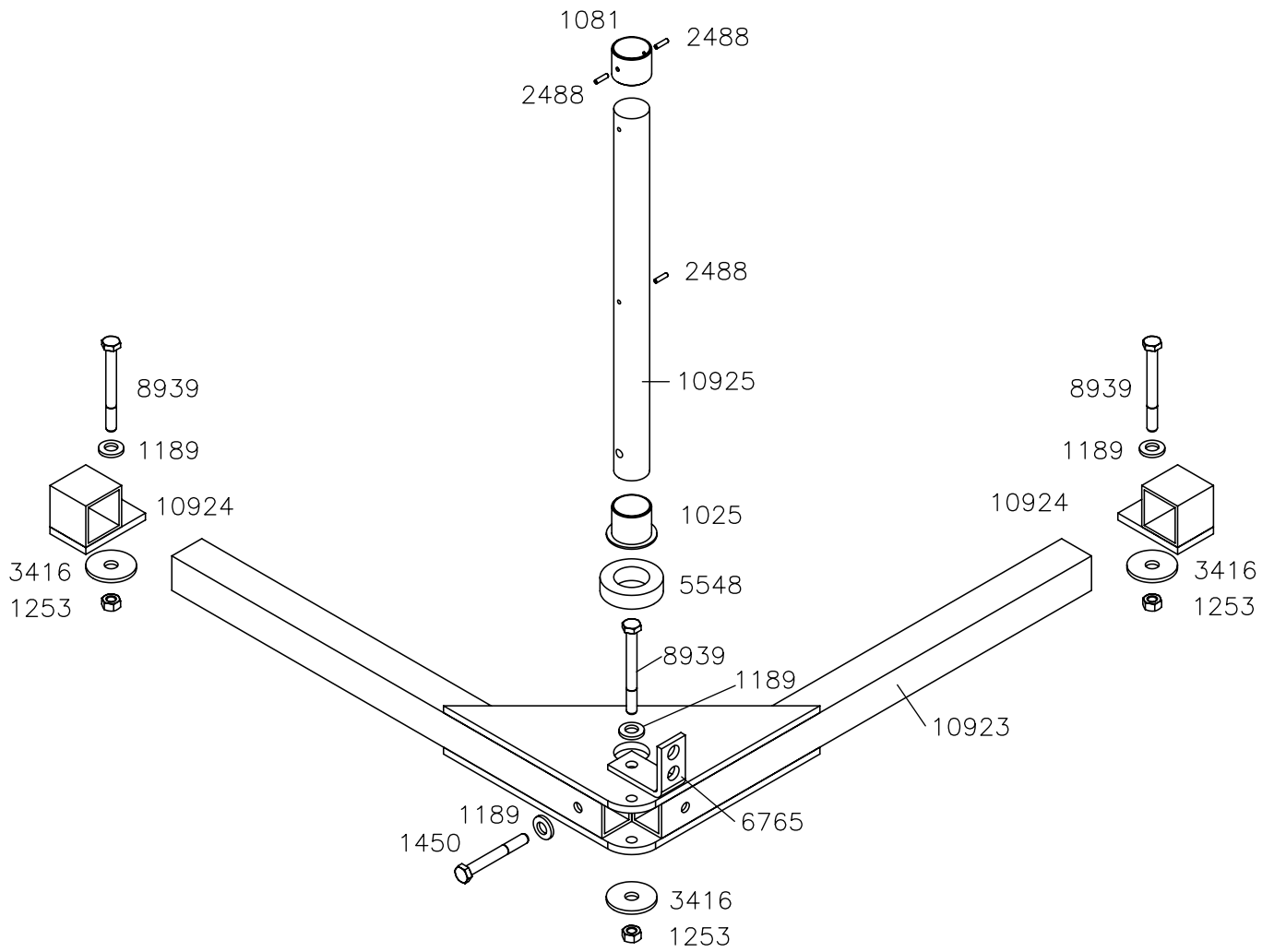
REMOVABLE LIFT ARM



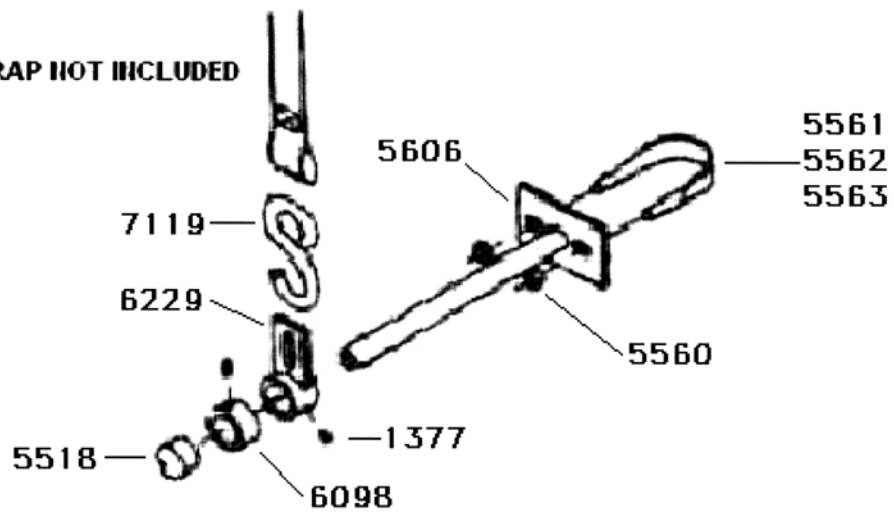
C LIFT ARM

(Lifting POV with seat)





STRAP NOT INCLUDED



PARTS LISTS

Upper Boom & Motor Assembly

Part Number	Description	Quantity
1055	Bearing 1.37 OD, 0.625 ID with Ring	1
1167	Nut, 1/4-20 Hex Keps	2
1215	Washer, Spring Lock, #10	2
1291	Grommet	1
1391	Screw, Button Head Cap, 1/4-20 x 0.50 LG	2
1479	Screw, Round Head, #10-32 x 0.625 LG	2
1480	Nut, Hex Acorn, #10-32	2
1567	Switch, Extention	1
2256	Switch, Shield	1
2296	Nut, Hex Jam, 15/32-32	1
2404	Screw, Flat Head, #10-32 x 0.5 LG	1
2433	Screw, Phillips Round Head, #8-32 x 1.25 LG	4
3019	Switch Guard Cover	2
3077	Lift Strap	1
3690	Label, Patent	1
4179	Washer, Lock, 0.05 ID	1
5190	Screw Cap, 1/4-28 x 0.75 LG	3
5578	Spacer, #8-32 x 0.38 OD 0.50 LG	4
5580	Lift All Boom	1
5586	Bearing Plate	1
5587	Switch Bracket	1
5616	Screw, Self Tapping, 1/4-20 x 0.62 LG	3
5620	Label Lift All Logo	1
5627	Label, Warning	1
5668	Retainer	1
6853	Spool	1
8746	Hook Stop	1
341035	Switch	1
980008	Spool Assembly	1

Bracket for Van Installation

Part Number	Description	Quantity
1025	Bearing, 1-3/16 OD, 1-1/16 ID	1
1081	Bearing, 1.185 OD, 1.067 ID	1
1189	Washer, Cone Lock, 0.38 ID, 0.75 OD	3
1253	Nut, Hex Keps, 5/16-18	1
1275	Nut, Hex 5/16-18	3
2448	Pin, Roll, 1/8 x 0.5 LG	1
5548	Collar Clamp, 1-1/16 Bore	1
5567	Screw, Hex, 5/16-18 x 2.0 LG	1
5595	Circuit Breaker, Manual Reset, 15A	1
5654	Support Weldment, Left Hand	1
5660	Lift All Connector Weldment	1
6161	Support Weldment, Right Hand	1
6765	Circuit Breaker Bracket	1
8939	Screw, Hex, 5/16-18 x 4.0 LG	3
11237	Washer, 6 Sided	3

Trunk Installation

Part Number	Description	Quantity
1025	Bearing, 1-3/16 OD, 1-1/16 ID	1
1081	Bearing, 1.185 OD, 1.067 ID	1
1167	Nut, 1/4-20 Hex Keps	2
1539	Screw, Button Head, 1/4-20 x 1.0 LG	1
2448	Pin, Roll, 1/8 x 0.5 LG	1
2501	Washer, Cone, 0.264 ID, 5/8 OD	1
4775	Nut, Hex Jam, 7/16-14	1
5548	Collar Clamp, 1-1/16 Bore	1
5594	Support Rod Weldment	1
5595	Circuit Breaker, Manual Reset, 15A	1
5598	Lower Post Weldment	1
6109	Screw, Self Tapping, 1/4-20 x 1.25 LG	4
6765	Circuit Breaker Bracket	2

Lower Boom Assembly

Part Number	Description	Quantity
1270	Washer, Nylon, 0.39 ID, 0.75 OD	2
1377	Screw, Set, 5/16-18 x 3/8 LG	1
2223	Pin, Cotter, 1/8 x 3/4	1
5549	Collar Clamp, 1-7/16 Bore	1
5551	Hook, Turnbuckle, 1/2"	1
5552	Spring, Extention, 1.5 OD	1
5553	Screw, Shoulder, 5/16-18 x 5/8 LG	1
5564	Bushing, Bronze	1
5568	Screw, Hex Head, 1/2-20 x 3.75 LG	1
5570	Pin, Clevis, 3/8 Dia x 2-3/8 LG	1
5571	Nut, Hex Jam, 1/2-20	1
5573	Spacer, 0.50 ID, 1.0 OD, 7/8 LG	1
5583	Boom, Lower Assembly	1
5615	Handle Assembly	1
5627	Label, Warning	1
5678	Turnbuckle	1
5681	Spacer, 0.516 ID, 1.0 OD, 1.44 LG	1
5682	Pivot Tube Weldment	1
5683	Screw, Hex Head, 1/2-20 x 3.5 LG	1

Standard Lift Arm

Part Number	Description	Quantity
1344	Screw, Hex Head, 1/4-20 x 1.5 LG	2
3083	Nut, 1/4-20 Serrated	2
5379	Screw, Set, 1/4-20 x 5/16 LG	1
5893	Washer, 0.281 ID, 1.0 OD	2
7119	S Hook, 3"	1
7238	Spacer, 0.26 ID, 0.5 OD x 5/8 LG	2
7544	Lift Arm Weldment, PSL	1
7545	Lift Arm Weldment, STD	1

Removable Lift Arm

Part Number	Description	Quantity
1344	Screw, Hex Head, 1/4-20 x 1.5 LG	1
3083	Nut, 1/4-20 Serrated	2
7119	S Hook, 3"	1
7238	Spacer, 0.26 ID, 0.5 OD x 5/8 LG	1
10825	Collar, STD	1
10826	Lift Arm Weldment, STD	1
10827	Collar, PSL	1
10828	Lift Arm Weldment, PSL	1
10829	Spring, Compression, 0.48 OD, 1.5 LG	1
10830	Cotter Pin, 1/2-3/4	1

C Lift Arm

Part Number	Description	Quantity
5667	Lift Arm Assembly, "C"	1
6950	Lift All Collar, 2 Piece	1
8231	Weldment, "C" Shape	1

Competitor Lift Arm

Part Number	Description	Quantity
0883	Collar ASM Change Instructions	1
1377	Screw, Set, 5/16-18 x 3/8 LG	2
3081	Ty-Rap [®] , 14"	1
5560	Nut, Hex, Nylon Jam, 3/8-16	2
5561	U-Bolt, 3/8-16 x 2.0 ID	1
5562	U-Bolt, 3/8-16 x 1.75 ID	1
5563	U-Bolt, 3/8-16 x 1.5 ID	1
5606	Lift Arm Weldment	1
5618	Cap, Tube, 3/4 ID	1
6098	Collar, Webbing Retainer	1
6229	Collar, Lift	1
7119	S Hook, 3"	1



AMIGO MOBILITY INTERNATIONAL, INC.

6693 Dixie Highway, Bridgeport, Michigan 48722

Phone (800) 248-9131 • Fax (800) 334-7274 • www.myamigo.com