

AMIGO FRONT WHEEL DRIVE

Platform Mobility Aids

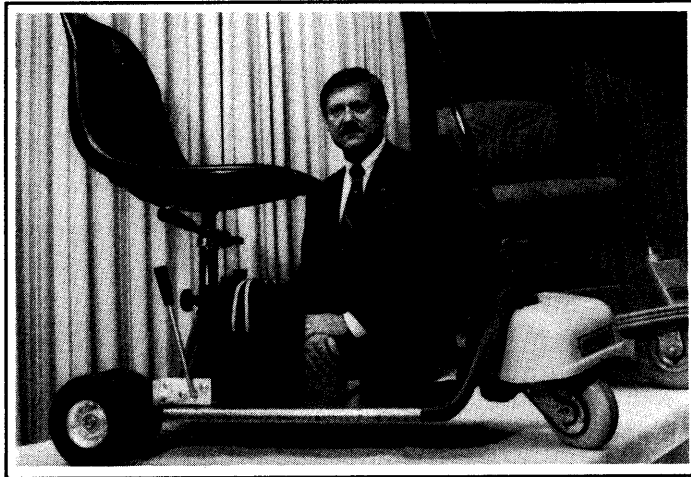
Owner's Manual



- Amigo FWD
- Amigo Supreme®

Table of Contents

President's Message	4
Safety Suggestions	5
Assembly Instructions	5
• Handle	5
• Seat Installation	6
• Seat Positioning	6
• Dual Wheels	6
• Battery Information and Charger Instructions	7
• Circuit Breaker Instructions	7
Operating Your Amigo	7
• Driving Your Amigo	8
• Manual Pushing	8
• Power Seat Lift Operation	8
• Transporting Your Amigo	9
• Airplane Travel	9
• Ground Travel	9
Helpful Hints for All Amigo Owners	9
• Bathroom	9
• Bedroom	9
• Car	9
• Kitchen	10
• Curbs, Inclines, Stairways, and Ramps	10
• Using An Elevator	10
• Opening Doors	10
• While Driving	10
• Keep Your Amigo Shining	10
• Speed Controls	11
• Stopping	11
Maintenance Information for All Amigo Owners	11
• Daily	11
• Monthly	11
• Yearly	11
• Belt Adjustment	11
• Chain Adjustment	12
• Controller	12
Service Information	12
Warranties	12
• For Warranty Service	13
Join the Amigo Mobility Company and "Step Up"	13
• Just One Success Story in the Amigo "Step Up" Program	13
Mobility Center Listing	14
Wiring Diagrams	15
Amigo FWD (Exploded View)	16
Amigo FWD Parts List	17
Amigo Supreme® (Exploded View)	18
Amigo Supreme® Parts List	19



President's Message

Welcome to the Amigo family of active and independent people. For thousands of individuals around the world, the AMIGO provides the opportunity to enjoy life more fully. We are confident that the following instructions and helpful hints will make the Amigo an extremely useful and reliable "friend." Because we are concerned about your health and safety, we ask that you read this manual carefully before operating your Amigo. When you learn how to use the Amigo properly, you will discover a world of enjoyment and independence.

As a member of the Amigo family, you will receive the *Friendly Wheels*, our magazine written especially for and about Amigo owners. The *Friendly Wheels* will keep you informed about new products and accessories, helpful hints, service tips, special offers and much more!

Please write us and include a photograph of you and your Amigo. Your letters are a source of inspiration to us. As you use your Amigo, be sure to share your helpful hints and operating suggestions with us so we can pass them on to other owners.

Wishing you happiness and good health from all of us at Amigo Company.

Sincerely,

Allan R. Thieme
President

NOTICE: THIS BOOK PERTAINS TO AMIGO UNITS: FWD AND SUPREME®. PLEASE REFER TO YOUR PARTICULAR PLATFORM MOBILITY AID.

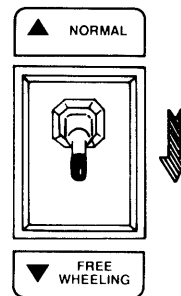


Safety Suggestions

Amigo Mobility International (AMI) disclaims any responsibility for personal injury or property damage resulting from the improper or unsafe use of its products. Use the following rules as guidelines for the safe operation and use of your Amigo. Should you have any questions about the safe operation or use of your Amigo, please contact AMI. If you are in doubt about your ability to operate your Amigo, consult your personal physician before using your Amigo.

- Do not operate your Amigo until you have read this Owner's Manual completely.
- Make sure the battery(s) is/are securely in place and/or the battery hold-down is properly tightened.
- Use Dual Wheels for added stability. Avoid uneven terrain as your Amigo may tip over to the side possibly causing injury.
- Do not drive over or off obstacles more than one (1") inch in height. This could be unsafe and damage your Amigo.
- Do not make sharp, abrupt turns at high speeds or going down an incline.
- Avoid sudden stops while the handlebar is turned sharply.
- Avoid inclines or ramps having a rise of more than one (1") inch in twelve (12") inches (Federal standard for wheelchair ramps).
- Do not operate on streets or other areas with automobile traffic.
- When traversing bumps, dips or inclines, approach them at a 90° angle.
- Do not back onto any changes in the surface or grade.
- Do not carry passengers.
- Do not back down inclines.
- Do not sit on the Amigo when transferring it on a van lift.
- Do not sit on the Amigo in a moving vehicle unless it is secured by an approved restraint system.
- Always apply the parking brake before operating the power seat lift.
- When operating under low light conditions, the user should equip the Amigo with proper lighting.
- Operate your Amigo only when the power seat lift is in its lowest position.
- Always place thumb control lever at a 90° angle to handle and apply parking brake when stopped or transferring (Applies to **AMIGO FWD**).
- Travel over grass, gravel, or soft dirt is not recommended.

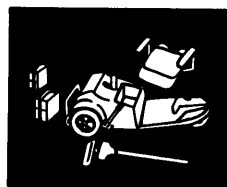
- Always turn key switch OFF and apply parking brake when stopped or transferring (Applies to **AMIGO SUPREME®**).
- If your SUPREME® has optional electromagnetic braking, always apply parking brake before putting brake release switch in "freewheeling" (Figure 1). (Applies to SUPREME® model)



- Figure 1 -

For your convenience and understanding, signal words are defined below:

- ☛ **DANGER** - Danger is used to indicate the presence of a hazard which **will** cause **severe** personal injury, death, or a substantial property damage if the warning is ignored.
- ◆ **WARNING** - Warning is used to indicate the presence of a hazard which **can** cause **severe** personal injury, death, or substantial property damage if the warning is ignored.
- **CAUTION** - Caution is used to indicate the presence of a hazard which **will** or **can** cause minor personal injury or property damage if the warning is ignored.



Assembly Instructions

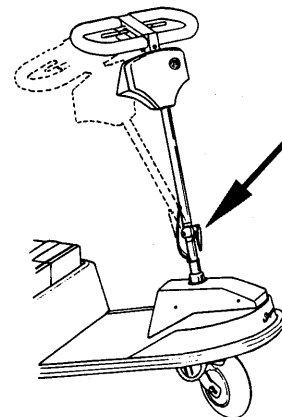
• HANDLE

FWD: 

Insert the drive handle into the opening in the steering column and place the thumb control lever at a 90° angle to the handle.

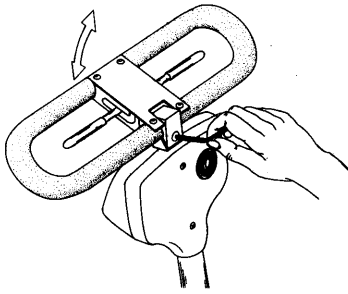
SUPREME®: 

Making sure the key switch is OFF, loosen knob on bottom of handle. Adjust handle up to position needed and tighten knob (Figure 2). To adjust the steering handle



- Figure 2 -

position, place the steering handle in the desired location. Then tighten the button head screw located on the front of the handle with an Allen wrench (See handle in Figure 3).



- Figure 3 -

• SEAT INSTALLATION

ALL UNITS:

1. Unlock the seat lock.
2. Insert the upper seat post into the opening in the lower seat post.
3. Spin seat around to make sure it rotates freely.
4. To lock the seat, pull the seat lock lever toward the rear of the seat.

➤ **CAUTION:** *It is recommended that the seat lock be installed in either of the two holes positioned closest to the seat. If you desire to put your seat higher than this, you must have dual wheels on your Amigo.*

The following information pertains to Amigos that **do not** have a power seat lift:

To raise or lower your seat height, remove the nut and bolt that holds the seat collar in place on the seat post, then adjust and reinstall.

• SEAT POSITIONING



SUPREME® :

For comfort and convenience, the seat can be moved closer to or away from the handle. The rear housing must be removed and the lower seat post must be reversed. It will move the post approximately three inches to the front or rear, depending on the direction it is turned.

➤ **CAUTION:** *When lower seat post is in forward position, caution must be taken when swiveling seat at various seat heights due to possible interference between folding arms and handle controls.*

• DUAL WHEELS

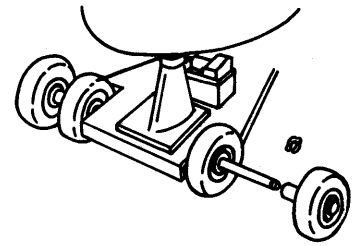


FWD:

Dual wheels provide additional stability and are especially recommended for use on rough or uneven surfaces. They add 6 inches to the width of your Amigo (Figure 4).

Parts list:

- (3) dual wheel clips (2 are extras)
 - (3) "E" rings can be used in place of wheel clips.
 - "E" rings are more difficult to put on, but hold better than clips.
 - (1) dual wheel rod
 - (2) dual wheels
- No tools needed.



- Figure 4 -

Putting on Dual Wheels:

1. Put one Dual Wheel on the axle rod.
2. Slide it all the way over to the permanently installed "E" ring (When placing wheel on rod, the side with extended spacer should be faced inward).
3. Slide dual wheel rod all the way through axle opening in Amigo platform.
4. Put Dual Wheel on other side with extended spacer faced inward.
5. Secure wheel with dual wheel clip, making sure it is completely in the groove.

➤ **CAUTION:** *If you are installing dual wheels on a unit you've had for some time, it's important to test the braking action after the dual wheels have been installed. To do this, engage the brake lock and press the thumb control lever to see if the Amigo stays in place.*

If the inside wheels are slightly worn, the dual wheels may lift them off the ground to the point where the brake lock will not lock the unit. Should this happen, reverse the two wheels, putting the new wheels to the inside and the original wheels on the outside of the rod. Always test the braking action before transferring from your Amigo.

Removing Dual Wheels:

It's best to leave them on for extra stability, but if dual wheels must be removed for narrow spaces, here's how:

1. Remove dual wheel clip from end of rod.

2. Remove wheel.
3. Pull rod and other wheel completely out of axle opening.
4. Replace original rod and wheels and put clips on the ends of the axle.

• BATTERY INFORMATION AND CHARGER INSTRUCTIONS



ALL UNITS:

Spill-proof and maintenance-free 12-volt battery(s) have been supplied. *Always turn your Amigo OFF before removing and installing batteries.*

For maximum range and life, it is recommended you fully charge the battery(s) before using. The batteries should be charged a minimum of once a month. The charger can be left ON overnight without overcharging.



FWD:

1. Make sure the charger is ventilated and connector terminals are clean.
2. Keep charger away from flammable liquids when charging.
3. The charger gets warm; do not set it on heat sensitive surfaces.
4. Make sure the charger is the correct one for your unit. The Amigo FWD uses a 12-volt charger, the Amigo Supreme® uses a 24-volt charger.
5. Turn OFF your Amigo and connect charger to battery and the AC cord to 120 volt outlet.

Note for Amigos with Electromagnetic Braking: When not using your Amigo, **DON'T** leave it "ON" and **DON'T** leave the Electromagnetic Brake switch in the "FREEWHEELING" position. Place it in the "Normal" position and turn Amigo "OFF."

SUPREME®: Connect the AC power cord to the socket in back of the unit and then to the AC outlet. To see the charger lights, look through the window on top of the rear cover. The red light should be steady, indicating the batteries are charging. When the green light comes on, the batteries are 90% charged; when the green light starts blinking, the batteries are fully charged. The battery gauge on the handle indicates the state of charge of the batteries.

6. The red light on the charger indicates the battery is charging. When the green light glows, the battery is 90% charged. The green light will start to blink when the battery is fully charged. The red LED light on the front housing indicates the state of charge of the battery. If the light does not glow after operating the unit for a short time, it is time to recharge the

battery. Looking at the light when the unit is not moving or when it has started to move will not give an accurate reading.

7. To disconnect, reverse step #5.
8. Make sure the AC cord is unplugged before disconnecting or moving your Amigo.

• CIRCUIT BREAKER INSTRUCTIONS

A circuit breaker protects the wiring and battery in the event of a short circuit. If your Amigo stops, check for overloads or short circuits before continuing to operate. Using a screwdriver with an insulated handle, lightly place the tip of the screwdriver between the screws of the circuit breaker on the positive terminal. If a large continuous spark occurs, call a service representative. When the LED light brightens or battery gauge goes up, the circuit breaker is functional.

► **CAUTION:** Do not use uninsulated metal in testing.



FWD:

Circuit breaker is located inside battery top and attached to positive terminal.



SUPREME:

Circuit breaker is under the rear housing and attached to positive terminal.

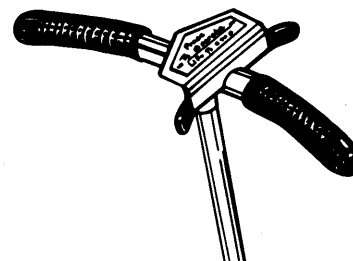


Operating Your Amigo



FWD:

When not using the unit, place the thumb control at a 90° degree angle to handle (Figure 5). This turns the unit "off" and is a safety feature.



- Figure 5 -

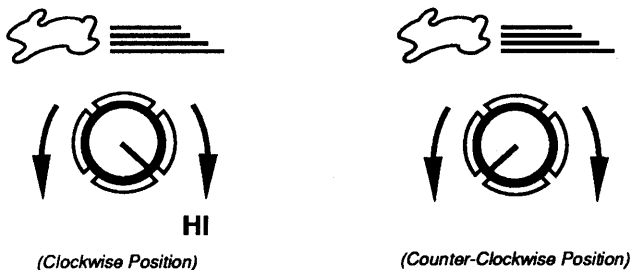
Note: If you have a two-speed (not variable), you can use the SPRING COIL which is included in your owner's package.

By placing this **SPRING** under the thumb control, the dynamic brake will be in effect as soon as you let go of the thumb control. Without this spring, you should lift the thumb control for dynamic braking.



SUPREME®:

Controls include speed, fuel, horn, key, and (optional) power seat lift. The key will turn it ON and the gauge will indicate the capacity of your batteries. Turning it OFF will prevent drainage of batteries and unauthorized use. To adjust the handle, use the upper knob to loosen and move the handgrip to a comfortable position and retighten. Speed adjustment can be regulated by the control located on the handle. By turning it clockwise the speed increases from 0 to 3.4 m.p.h. and when turned counter-clockwise decreases the speed from 3.4 to 0 m.p.h. (Figure 6).



- Figure 6 -

• DRIVING YOUR AMIGO



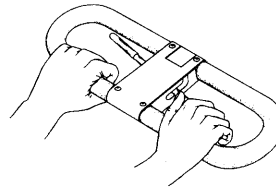
FWD:

To move forward, push the right side of the thumb control on the handle. You will gradually accelerate to the desired speed. To stop, release the control and you will decelerate and come to a stop. Push the left side of the thumb control to engage the reverse direction. Your Amigo is equipped with a manual hand operated brake lock which will keep the Amigo from rolling when stopped. It also can be used as an emergency brake. *Do not operate your Amigo with the brake lock on.*

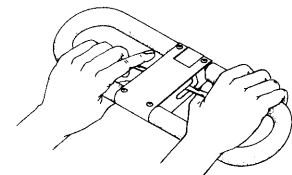


SUPREME®:

To move forward, pull the right side of hand control lever toward you (Figure 7). You can also move forward by pushing the left side of the control lever away from you. By releasing the control lever you will come to a stop approximately one second after release. To operate in reverse, pull the left side of the hand control lever toward you, or push the right side control lever away from you. Your Amigo is equipped with a hand-operated brake lock which will keep the Amigo from rolling when stopped. It also can be used as an emergency brake. *Do not operate your Amigo with the brake lock on.*



FORWARD



REVERSE

- Figure 7 -

• MANUAL PUSHING



FWD and SUPREME®:

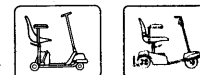
In case of power failure, when it is necessary to push by hand, remove the belt in the drive head to make it roll easier.



SUPREME®:

If it is necessary to push by hand and you have an electromagnetic brake, move the brake release switch on the left side of rear cover to "freewheeling" (see Figure 1). When you are through pushing the unit, move the switch back to "normal." Leaving it in the "freewheeling" position will drain the power of the battery.

• POWER SEAT LIFT OPERATION - OPTIONAL



FWD and SUPREME®:

The power seat lift moves the seat from 17 to 23 inches. In the highest or lowest position, a slip clutch is activated causing a clicking noise which is normal.



FWD:

Push the lift switch located under the seat up or down to raise or lower it.



SUPREME®:

Turn the key switch "ON" and push the "seat" switch up or down.

Maintenance of a Power Seat Lift:

(Approximately every one to two months) Remove the seat and activate seat lift to the highest position. Using a dry cloth, wipe inner tube of accumulated grease and dirt. Apply a very thin coating of grease to inner tube, except for one inch on top of tube.

Note: A tube of grease has been supplied. White Lithium grease is recommended and can be purchased at a local hardware

store. With seat off, operate seat lift to its highest and lowest position. Wipe away any excess accumulated at the top of the outer tube. Reinstall seat and repeat again in one to two months.

• TRANSPORTING YOUR AMIGO



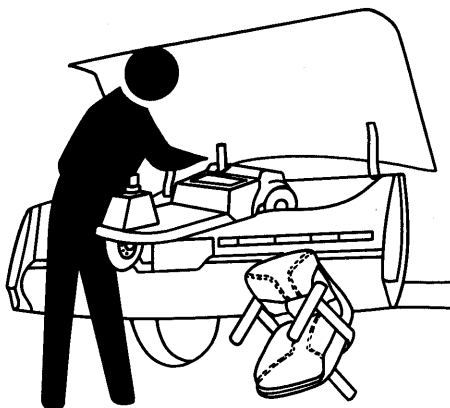
ALL UNITS:

Your Amigo can be disassembled and transported in most car trunks (Figure 8).

1. Turn OFF your Amigo and fold down or remove handle.
2. Unlock the seat and remove it completely.
3. Remove the battery(s).
4. Lift the rear end of the unit into the trunk of the vehicle and slide in the remainder.*

**Note: For greater convenience, it is recommended to obtain a LIFT•ALL® to assist you when loading and unloading. For more information on the LIFT•ALL®, see the special coupon offer in the back of this manual and contact your local Amigo Mobility Center® or call toll-free: 1-800-248-9130.*

5. Set the brake lock to keep the unit from rolling.
6. Place seat, handle and battery(s) into the trunk.
7. If your Amigo has a seat lift, we suggest placing a cut out tennis ball or something similar over the seat post to protect it. If you leave the battery(s) connected, make sure the power seat lift (optional) cannot be accidentally activated.



- Figure 8 -

• AIRPLANE TRAVEL

Gel battery(s) is/are approved for travel on airplanes. You should strap your gel batteries to the platform if you own a SUPREME®. A strap can be purchased from your local Amigo Representative or by calling Amigo Mobility

International, Inc. (Item #300116). When you make your reservation, notify the airline that you will be requesting an "Escort" service. This will assure your Amigo will be picked up and delivered at the boarding gate.

• GROUND TRAVEL

Some public transportation systems have accommodations for your Amigo, but you cannot remain seated on your Amigo. Please transfer to a passenger seat.



Helpful Hints for All Amigo Owners

• BATHROOM

In the bathroom, maneuvering room is usually limited. It may be easiest to back into the bathroom. Position close to the toilet and lock the rear wheel. Swivel the seat and lock it in position and then transfer.



For the bathtub, back up parallel to the tub. Engage the brake lock, swivel the seat and engage the seat lock, place your feet in the tub and then carefully transfer.

• BEDROOM

To transfer to the bed, back up parallel to the bed and lock the rear wheel. Swivel and lock it into position, then ease onto the bed. If charging the battery (s) overnight, it may be easiest to plug in the battery charger before transferring.

• CAR

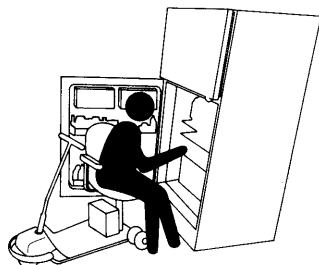
To transfer to a car, make a parallel approach to the side of the car, then release the door latch and open the door as you drive forward. Back parallel to the side of the car and into the door opening. Swivel the seat, then lock it in position. Lock the rear wheels and carefully slide onto the car seat. On the driver's side you can hold on to your car's steering wheel for leverage.



• KITCHEN

For access to a refrigerator, make a parallel approach or back up to the outside of the handle. Swivel the seat and *think before you reach!*

Approach a table, sink, or stove by maneuvering parallel to it. Swivel the seat to the desired position. The handle and drive head will be out of the way.

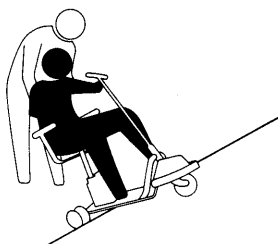


• CURBS, INCLINES, STAIRWAYS, and RAMPS

Maneuvering up or down curbs, always approach with a 90° angle to the curb.

Maneuvering DOWN a Curb :

Be sure to have someone assist you! Lock the seat in the forward position. Have the assistant stand behind you and securely grasp the seat back. Ease the front wheel carefully over the edge of the curb. Have the assistant gently slide the base of the Amigo over the curb. With your assistant holding the seat, gently lower the rear wheels of the Amigo to the pavement.



Maneuvering UP a Curb:

Lock the seat in the forward position and the assistant should grasp the back of the seat and put one foot on the base. By pushing with the foot and pulling back the top of the seat, raise the front wheel and bring it to rest on top of the curb. The user should then lean forward and press the thumb control in a forward speed. The assistant should lean in with the knee or hip and lift gently on the seat easing the rear wheels up the curb.

Stairways:

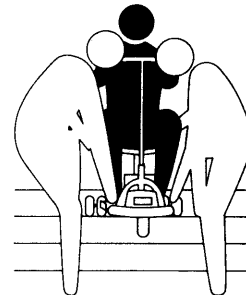
On occasion, the owner is left with no alternatives other than to negotiate a stairway. To negotiate safely, you will need two able bodied assistants. Before attempting, the assistants should be familiar with the Amigo and should have experimented without the owner onboard. Always use good mechanics when lifting or pulling. Bend your knees, straightening them to lift or pull. Keep your back straight and upright. *Be sure the seat is locked!*

There are two ways to lift and carry an Amigo and its owner:

First, one assistant can grasp the front bumper and the second assistant can grasp the seat back. Together, they can easily negotiate the stairs.



The second way would be to position one assistant on each side of the seat, lift carefully, and negotiate the stairs one at a time.



Ramps and Inclines:

- Always lean forward as you maneuver your Amigo up a ramp or incline.
- Keep one hand on emergency brake when going down ramps.
- Engage your seat lock.

• USING AN ELEVATOR

Back into an elevator, then you can exit forward. Be sure the elevator is level with the floor. Be careful when going from one type of surface to another!

• OPENING DOORS

When a door opens toward you, approach at an angle and just off to one side. Grasp the door knob, reverse and pull the door open. For doors that open away from you, position the bumper against the door, close to the doorjamb on the doorknob side of the door. After you release the latch, use the bumper to push the door open.

➤ **CAUTION:** *Be careful with glass doors!*

• WHILE DRIVING

Be sure to watch where you drive. Loose items can easily get caught in the chain and belt of the Drive System.

• KEEP YOUR AMIGO SHINING

Clean a fabric seat with upholstery cleaner or wash with mild soap and water. Wipe the naugahyde seat clean with a damp cloth. Protect the wheel housing, chrome and all painted parts with a coat of auto wax.

• SPEED CONTROLS

Slower speeds are recommended indoors and while learning to operate. Higher speeds can be used as conditions will allow.

• STOPPING

IN EMERGENCY ONLY: Quick stopping with your Amigo FWD can be accomplished by pushing the thumb reverse control in the direction opposite of the direction of travel (**CAUTION:** Loss of balance and stability can occur).



Maintenance Information for All Amigo Owners

Minimum maintenance is required to increase dependability, check the following:

• DAILY

- Maintain battery charge as needed.

• MONTHLY

- Check and clean battery terminal connections as needed.
- Check adjustment of parking brake.
- Clean upholstery, plastic and metal with a mild surface cleaner.
- Check and tighten any exposed fasteners.
- Inspect belt or chain for adequate tension and signs of wear.



FWD

(Two-Speed drive heads only):

Clean switches; disconnect the battery and snap in and out on the switch plungers three or four times; wipe off surface grime and lubricate plungers.

• YEARLY

- Inspect wheel bearings. Check front wheel bearings periodically for roughness during rotation. If roughness is detected during rotation, the bearings should be replaced.
- Have an authorized Amigo service center check over your Amigo.

• BELT ADJUSTMENT



FWD:

1. Remove the seat, handle and battery.
2. Tip the Amigo up and let it rest on the lower seat post.
3. Loosen the two screws at terminal block and detach head wires.
4. Remove retaining screw and collar and then the drive head.

► **CAUTION:** *Examine the steering bushings before removing for re-installation. If the drive head has a lot of play or is wobbly, the bushings may need to be replaced.*

5. Loosen nuts holding motor in place just enough to allow movement of motor. Using a big screwdriver, pry motor away from head frame until belt has 1/4" deflection in tightest position.
6. To re-install drive head, reverse this order.



SUPREME®:

1. Remove the seat and batteries.
2. Tip up and let it rest on rear bumper. Brace the unit to prevent it from falling.
3. Unplug handle cord from controller and remove cord from under platform.
4. Unplug brake and motor wiring and remove retaining screw and collar.
5. Carefully remove the handle and drive head.

► **CAUTION:** *Examine the steering bearings before removing for re-installation. If the drive head has a lot of play or is wobbly, the bushings may need to be replaced.*

6. Loosen nuts holding the motor in place just enough to allow movement of the motor. Loosen jam nut on motor adjustment screw. Using a 5/32" Allen Wrench, turn screw clockwise. To reinstall the drive head, reverse this order.

► **CAUTION:** *Do not overtighten, belt should have 1/4" deflection in tightest position.*

7. To re-install the drive head, reverse this order.

• CHAIN ADJUSTMENT

1. Loosen axle nut enough that a tap is required to move wheel assembly.
2. Tap axle forward until there is approximately 1/4" slack in the chain. Do not tighten the chain completely.
3. Check that the axle is square in the frame.
Alignment is very important.
4. Tighten axle nut securely and recheck alignment.
5. Lubricate chain for quieter and smoother operation.

• CONTROLLER

Do not attempt to service the controller or related electronic components as you may cause injury and/or void your warranty.



Service Information

You will get years of dependable service if you follow the suggested maintenance schedule. If you experience a problem and have to write or call an authorized service center, be sure to provide your serial number. Model numbers and serial numbers will help us in providing efficient service. Call your local Mobility Center, Amigo Representative, or call TOLL-FREE: 1-800-248-9131.



Warranties

AMIGO MOBILITY INTERNATIONAL, INC.

USA AND CANADA

September 1, 1990

LIMITED THREE-YEAR WARRANTY

Amigo Mobility International (AMI), warranties products it manufactures to the original purchaser.

ALL AMIGO MANUFACTURED PRODUCTS

1. Structural components that are warranted against defects in materials and workmanship for three-(3) years are limited to the following components:

Platform, fork, lower seat post and upper seat post.

2. UNIPAC™, vari-speed boards and motors are warranted against defects in materials and workmanship for three (3) years with replacement on a pro-rated basis.
3. The RWD Heavy Duty is warranted against defects in materials and workmanship according to 4 and 5 below. There is no warranty of a power seat lift if used on an RWD Heavy Duty.
4. Components warranted for six (6) months against defects in materials and workmanship are limited to the following:

LED lights, electrical and mechanical switches, and batteries provided through AMI.
5. Chargers, seats and other components have a one-(1) year warranty and are covered against defects in materials and workmanship for one year from date of purchase.
6. Use of this product by persons exceeding 250 lbs. on all units (except RWD Heavy Duty which is 350 lbs.) and 200 lbs. on the Lift-All® is not recommended and voids this warranty.
7. After six-(6) months, labor will be charged on warranty repairs.

AMI's obligation under this warranty is limited to replacing or repairing at its option, such products or parts that are returned prepaid by the purchaser and are found to be defective.

If the purchaser elects not to return the unit to the factory and wishes a factory service representative to make adjustments and repairs at the unit's location, field service rates will apply

This warranty does not cover accidental damage, misuse, normal wear and tear, or use of Amigo products for other than personal purposes.

The three-year warranty pro-rating is as follows:
(Customer pays)

- 01 - 12 months = 0
- 13 - 24 months = 50%
- 25 - 36 months = 75%

The above warranty supersedes and is in lieu of all other warranties, expressed or implied, and no person, agent or dealer is authorized to give any warranties on behalf of the manufacturer, nor to assume for the manufacturer any other liability in connection with any of its products unless made in writing and signed by an official of the manufacturer.

This warranty provides you with specific legal rights, with the possibility of other rights, which vary depending upon your locality.

A one-(1) year warranty is applicable outside the United States, with the exception of batteries, LED lights, and switches, which have a six-(6) month warranty.

• **FOR WARRANTY SERVICE**

Contact: Service Department of Amigo Mobility International, Inc., 6693 Dixie Highway, Bridgeport, MI 48722 TOLL-FREE: 1-800-248-9131 or (517) 777-0910.

Join the Amigo Mobility Company and "STEP UP!"

You have recently invested in a new Amigo product and like many others, you are becoming even more self-sufficient. Many of our Amigo Sales Consultants, Mobility Managers, and Mobility Centers started out much like you, a proud owner of an Amigo product.

As your interest and conviction grows with your new Amigo products, so does your need to tell others, helping them to regain their independence, too. While helping others you will also help yourself to achieve the steps necessary to begin the "Step Up" Program offered by Amigo Mobility International, Inc. This comprehensive sales program allows you to begin to promote Amigo products with your existing inventory, your Amigo! Then if you wish, move on to step two, from a Consultant to a Mobility Manager. If you wish...continue on and become an Amigo Mobility Center®.

• **JUST ONE SUCCESS STORY IN THE AMIGO "STEP UP" PROGRAM**

Donna Layman began her career with Amigo in 1975 as a part-time Mobility Consultant. She operated

out of a one-drawer file in her kitchen. By 1977, she was working full-time. Her husband, John, joined her in the business and they added a part-time secretary.

As sales increased, Donna and John became Mobility Managers for their area and consistently led the western region in sales volume, as well as capturing several national honors. This additional business required extra space and they moved the business operations into a 1,200 square-foot building on their property.

The Layman's progressed to the status of Franchise Owners in 1984. Their entire operation moved into a 4,000 square-foot store front. In addition, their staff grew to a full-time salesperson, full-time service technician, and two full-time secretaries. Meanwhile, Donna and John remain very instrumental in the sales and operation of the center.

This type of business opportunity exists for Amigo salespeople! The Laymans had desire, persistence, and genuine interest in helping people...their tremendous growth is a reflection of that.

**If you are interested in becoming a
Mobility Consultant please call
Amigo Mobility International, Inc.:**

TOLL-FREE: 1-800-821-2710



For your convenience, here is a listing of the Mobility Center locations across the United States. For more information on how you can own an Amigo Mobility Center in your area, contact the Mobility Center Franchise department in Bridgeport, Michigan at (517) 777-0910 or call Toll-Free: 1-800-821-2710.

Arizona:

Mesa

134 N. Dobson Rd.
Mesa, AZ 85201
(602) 890-0878

Glendale

19617 N. 43rd Ave.
Glendale, AZ 85308
(602) 253-8044

California:

Tustin

656 El Camino Real
Tustin, CA 92680
(714) 832-7992

Florida:

Ft. Lauderdale

830 E. Oakland Park Blvd.
Suite 110
Ft. Lauderdale, FL 33334
(305) 566-5073

Largo

1901 Ulmerton Road, Suite I
Largo, FL 34641
(813) 585-8787

Michigan:

Bridgeport

6693 Dixie Highway
Bridgeport, Michigan 48722
(517) 777-2060 or
Service: 1-800-248-9131

Grand Rapids

3507 Plainfield Ave. NE
Grand Rapids, Michigan 49505
(616) 361-8355 or (616) 361-8361

Holt

2495 N. Cedar, Suite 13B
Holt, Michigan 48842
(517) 694-1777 or (517) 694-1778

New Jersey:

Trenton

127 S. Rt. #206, Suite 33
Whitehorse Commercial Park
Trenton, NJ 08610
(609) 597-7788

New Mexico:

Albuquerque

405 Montano Road NE, Unit 6
Albuquerque, NM 87107
(505) 344-6424

North Carolina:

Raleigh

6220-B Angus Drive
Raleigh, NC 27612
(919) 782-5110

Texas:

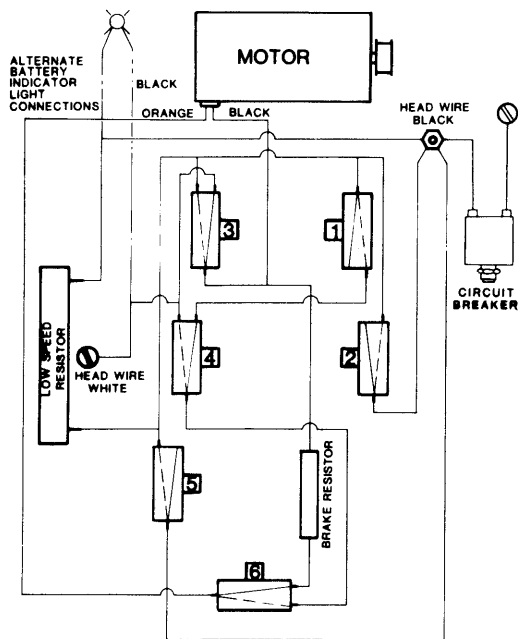
Grand Prairie

2100 Highway 360
RB Corp. Park, Suite 1802
Grand Prairie, Texas 75050
(214) 647-8567

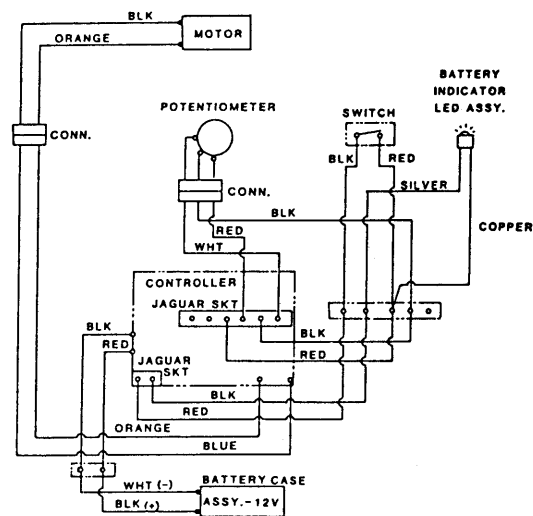
• **Franchise Areas Are Available!** •

• Wiring Diagrams •

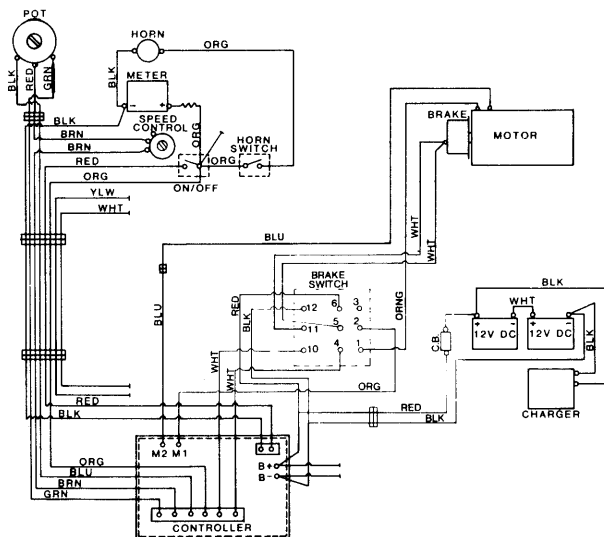
Amigo FWD



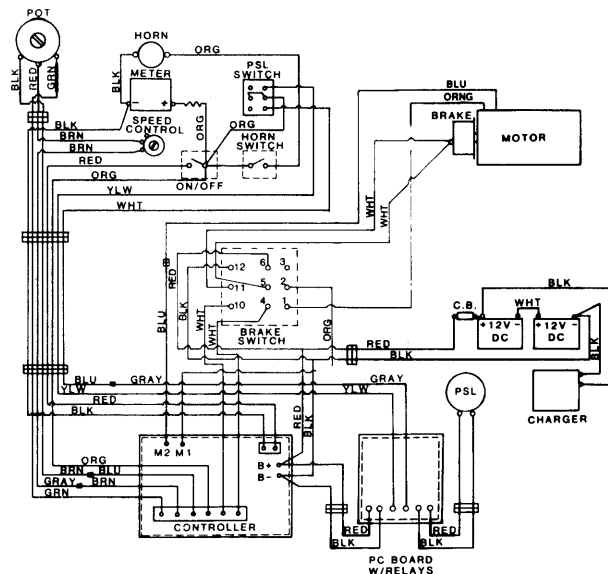
Amigo FWD (Vari-Speed)



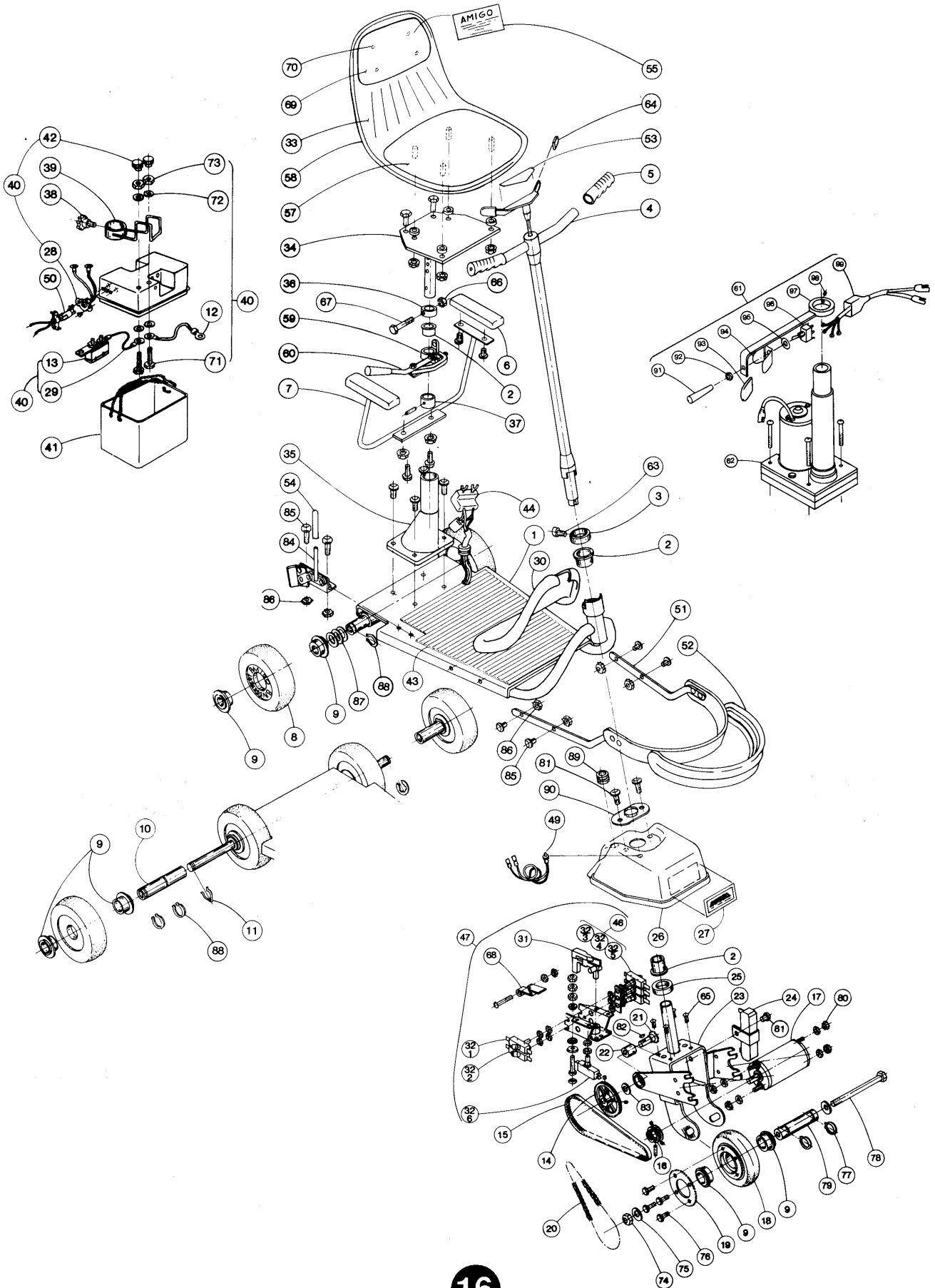
Amigo Supreme® (Without Power Seat Lift)

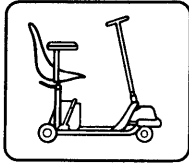


Amigo Supreme® (With Power Seat Lift)



• Amigo FWD (Exploded View) •

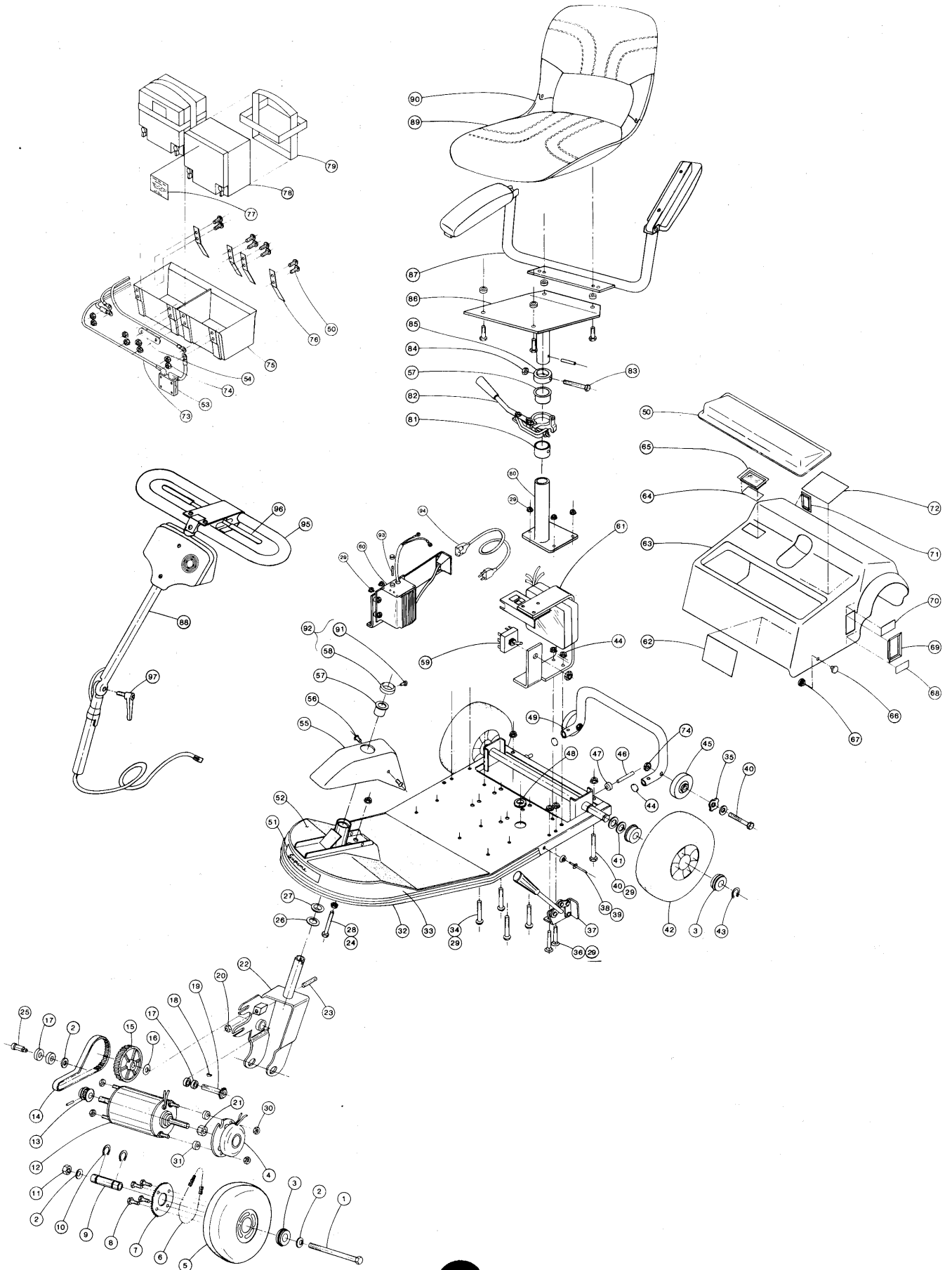




Amigo FWD Parts List

Ref#	Item#	Description	Ref#	Item#	Description
1	100016	Platform - Regular Painted	41	100750	Battery Case Bottom
2	100020	Shoulder Bearing	42	100760	Terminal Knob - Battery
3	300299	Collar - Retaining	43	100781	Floor Mat (8/83)
4	100040	Handle Assembly 24" - (Includes #'s 5, 53, 64)	44	100800	Wire Harness for Standard Platform
5	100050	Handle Bar - Grip (Pair)	45	100810	Wire Drive Head
6	210010	Arm Pad Replacement - Pair, Regular	46	100830	Two Speed (Not Shown) Switch Pack Assembly - (Includes #'s 32-3, 32-4, 32-5)
7	210000	Arm Rest Assembly (Standard) - (Includes # 6)	47	100850	Switch Frame Assembly - (Includes #'s 31, 32-1, 32-2, 32-6, 46, 68)
8	100111	Wheel Assembly - 6" Rear (Includes #'s 9, 87, 88)	48	100880	Brake Resistor Model 103 & 105 - (Not Shown)
9	100150	Bearing - Wheel	49	100935	LED Light (8/83)
10	215050	Bushing, Dual Wheel & Pneumatic - (Includes #88)	50	100940	Charging Plug & Wire Assembly - Male
11	111209	Hairpin Clip	51	273000	Bumper Assembly - (Includes #'s 52, 85, 86)
12	100591	White Wire	52	273020	Bumper Rubber Replacement - 22170 UP
13	100592	Circuit Breaker Assy. 30 Amp	53	266503	Label - Thumb Control Lever
14	100273	Pulley - Driven, 48 Tooth	54	300254	Grip - Vinyl Brake Lock
14	100275	Pulley - Driven, 60 Tooth - (Includes #'s 82, 83)	55	100663	Label - Seat Back
15	100293	Belt 170 XL	56	100012	Label - Battery (Not Shown)
15	100295	Belt 180 XL	57	271011	Pad - Naugahyde Seat (Optional)
16	100300	Pulley - Drive w/Pin - (All Models)	57	270011	Pad - Nilo Seat (Optional)
17	100317	Motor Assembly - Two Speed: - Model 103 & 105 (Includes #'s 16, 48, 80) - Model 101 (includes #'s 16, 80)	58	270505	Moulding - Padded Seat
18	100318	Front Wheel Assembly - (Includes #'s 9, 19, 76, 77, 79)	59	267005	Seat Lock Casting
18	100372	Sprocket - Front Wheel (Includes #76)	60	267000	Seat Lock Assembly - RH
19	100430	Chain 68 Link	60	267500	Seat Lock Assembly - LH - (Includes #59)
20	100451	Chain 66 Link	61	341525	Travel Switch Assembly (Includes #'s 91 - 99)
21	100465	Jackshaft 9 Tooth	62	341075	Power Seat Lift Component w/o unit - 12 Volt
21	100466	Jackshaft 13 Tooth - (Includes #'s 82, 83)	63	300285	Screw - 1/4 - 28 x .31 Screw
22	100470	Jackshaft Bearing - 2119 UP	64	266452	Cover - Pair of Thumb Tab
23	100481	Fork Assembly - Front, (Includes # 22)	65	111342	Screw - 10 - 32 x .50 Flat HD
24	100510	Resistor - Low Speed, w/Bracket - (Includes #'s 81)	66	111227	Nut - 5/16 - 18 Hex Keps
25	100530	Steering Column Spacer	67	111226	Bolt - 5/16 - 18 x 2.50 Hex HD
26	100541	Wheelhousing - w/LED Hole, (Includes #'s 27, 89)	68	100820	Brake Switch Lever w/Bolt
27	100545	Label - Wheelhousing	69	271012	Pad - Naugahyde Back (Optional)
28	100580	Charging Plug & Wire Assembly - Female	69	270012	Pad - Nilo Back (Optional)
29	100590	Wire & Circuit Breaker Assembly - U1 or 24C, (Includes #13)	70	111589	Screw - 10 - 24 x .375 RD HD
30	100610	Front Cowl (8/83)	71	111219	Screw - 1/4 - 20 x .75 Hex HD
31	100641	Switch Bar	72	111357	Washer - 1/4 ID Cone Lock
32-1	100651	Switch S1 w/capacitor	73	111563	Nut - 1/4 - 20 Hex Jam
32-2	100652	Switch S2 w/capacitor	74	111322	Nut - 3/8 - 24 Hex
32-3	100653	Switch S3 w/capacitor	75	111217	Washer - 3/8 ID Cone Lock
32-4	100654	Switch S4 w/capacitor	76	111410	Bolt - 1/4 - 20 Type AA Hex Lock
32-5	100655	Switch S5	77	100425	Retaining Ring - Centering Tube
32-6	100656	Switch S6	78	111321	Bolt - 3/8 - 24 x 3.75 Hex HD
33	271250	Seat - Padded Naugahyde (Optional)	79	100420	Centering Tube (Includes #77)
33	270250	Seat - Padded Nilo (Optional) - (Includes #'s 55, 57, 58, 69, 70)	80	111234	Nut - 10 - 32 Hex Keps
34	100660	Seat - Fiberglass (Standard) - (Includes #'s 55)	81	111550	Screw - 1/4 - 20 x .50 Truss HD
34	100670	Upper Seat Post - (Includes #'s 2, 36, 37, 66, 67)	82	100280	Woodruff Key - Driven Pulley
35	100688	Lower Seat Post	83	111235	Washer - Spacer Thrust
36	100690	Stem Collar w/Bolt & Nut - (Includes #'s 66, 67)	84	285000	Brake Lock - Right Platform
37	100710	Bearing - Lower w/Pin	84	285500	Brake Lock - Left Platform - (Includes #'s 54, 85, 86)
38	100720	Battery Bracket Holding Knob	85	111213	Screw - 1/4 - 20 x .625 But HD
39	100730	Battery Holding Bracket - (Includes #38)	86	111212	Nut - 1/4 - 20 Hex Keps
40	100740	Battery Case Top - U1 Assembly - (Includes #'s 12, 13, 28, 29, 42, 71, 72, 73)	87	111207	Washer - .65 ID Shim
			88	100180	Retaining Ring - Wheel
			89	111574	Grommet - D/H
			90	100620	Flange - Wheelhousing - (Includes #81)
			91	341502	Switch Extension
			92	111325	Nut - 15 - 32 Hex Jam
			93	341511	Cover - Switch Guard
			94	341510	Guard - Switch (Includes #93)
			95	111590	Washer - 1/2 ID Int Tooth Lock
			96	341035	Switch PSL (Includes #'s 95, 92)
			97	341526	Holder - Travel Switch (Includes #98)
			98	111289	Screw - 1/4 - 20 x .312 Set
			99	341505	Boot - Switch

• SUPREME (Exploded View) •





Amigo Supreme® Parts List

Ref#	Item#	Description	Ref#	Item#	Description
1	111553	Bolt - 3/8 - 24 x 4.0 Hex HD	55		Cover Assembly
2	111217	Washer - 3/8 ID Cone Lock	200037		Front Gray
3	100150	Bearing - Wheel	200038		Front Maroon
4	200009	Brake Assembly - E/M	200051		Front Rich Blue
5	200013	Wheel - Front w/o Sprocket - (Includes #3)	200040		Front Green
6	200010	Chain - 54 Link	200039		Front Navy Blue
7	100430	Sprocket - Front Wheel - (Includes #8)	56	111558	Screw - 8 - 32 x .625 Button HD
8	111410	Bolt 1/4 - 20 Type AAA Hex Lock	57	100020	Bearing - Shoulder
9	200014	Centering Tube	58	300299	Collar - Retaining
10	100425	Retaining Ring - Centering Tube	59	200019	Switch - E/M Brake Release
11	111322	Nut - 3/8 - 24 Hex	60	355117	Charger - Onboard XTENDER™
12	200008	Motor Assembly	61	200018	Controller Assembly
13	750902	Pulley - Motor	62	100013	Label - Owner's
14	100293	Belt - 170 XL	63		Cover Assembly - (Includes #s 62 thru 72)
15	100275	Pulley - 60 Tooth Driven	200041		Rear Gray
16	111235	Washer - Spacer Thrust	200042		Rear Maroon
17	300097	Bearing - 3/8 ID.	200049		Rear Rich Blue
18	100280	Woodruff Key - Driven Pulley	200044		Rear Green
19	100466	Jackshaft 13 Tooth	200043		Rear Navy Blue
20	111236	Nut, Hex 5/16 - 18	64	200024	Label - Charger
21	200007	Hub - E/M Brake	65	200021	Bezel - Display (Window)
22	200005	Fork	66	111554	Snap Button - Rear Cover
23	111237	Shoulder Screw - 5/16 - 18 x 1 3/4	67	111555	Snap Socket - Rear Cover
24	111227	Nut, Hex Keps 5/16 - 18	68	200026	Label - E/M Brake Release
25	111538	Shoulder Screw - 5/16 - 18 x 3/8	69	200022	Bezel - Display (Black)
26	111551	Washer - Dust Cover	70	200025	Label - E/M Brake
27	300162	Bearing - Steering Column Ball	71	200047	Bezel - Small
28	111556	Screw 5/16 - 18 x 1.75 Hex HD	72	300089	Label - Warning
29	111387	Nut - 1/4 - 20 Serrated	73	300165	Wire Assembly - Battery (11/87)
30	111567	Nut - 10 - 32 Hex	74	111212	Nut - 1/4 - 20 Hex Keps
31	200054	Spacer - Supreme® E/M Brake	75	300121	Holder Assembly - Dual Battery - (Includes #73, #74, #76)
32	200031	Bumper Rubber	76	300122	Contact - Dual Power Cell
33	200029	Platform	77	100012	Label - Battery
34	111507	Screw - 1/4 - 20 x 2.00 But HD	78	300014	Battery - RWD - (Includes #77)
35	111537	Washer, Wave	79	300015	Harness - Battery Lifting
36	111577	Screw - 1/4 - 20 x 1.50 Carriage	80	300265	Seat Post - Lower
37	300050	Brake Lock - RWD Right - (Includes #36, #29)	81	100710	Bearing Lower w/Pin
	300049	Brake Lock - RWD Left - (Includes #36, #29)	82	267000	Seat Lock Assembly - RH
38	111552	Snap Stud - Rear Cover		267500	Seat Lock Assembly - LH
39	111560	Rivet - Snap Stud Blind	83	111226	Bolt - 5/16 - 18 x 2.50 Hex HD
40	111547	Screw 1/4 - 20 x 2.25 Hex HD	84	267001	Stem Collar Bolt & Nut
41	111207	Washer - .65 ID Shim	85	100690	Stem Collar w/Bolt & Nut - (Includes #84)
42	200036	Wheel Assy. - Rear (Includes #3)	86	100670	Upper Seat Post
43	100180	Retaining Ring - Wheel	87	300183	(Optional) Arms - Flip-Up (Folding Seat)
44	450009	End Closure - Bumper	88	300358	Handle - Double Adjustable
45	300008	Wheel, Bumper - (Includes #35, #40, #74)	89		(Optional) Seat - Cushion Set - Highback Gray Folding - Highback Black Folding
46	111525	Pin - 3/16 x 2.0 Groove	90		(Optional) Seat - Highback Gray Folding - Highback Black Folding
47	300096	Spacer - Nylon	91	300219	Screw - Retaining Collar
48	111539	Grommet	92	300369	Collar Kit - Retaining
49	300007	Tube - Rear Bumper - (Includes #44)	93	300323	Fuse - XTENDER™
50	11550	Screw - 1/4 - 20 x .50 Truss HD	94	185104	Cord - AC 3 Wire
51	200033	Label - Logo Platform	95	300288	Grip - Adjustable Handle Vinyl
52	200027	Floor Mat	96	300374	Cover - Pair of Adj. Handle Tab
53	300372	Circuit Breaker - 20 AMP 24 Volt	97	300373	Lever - Adjustable Handle
54	300202	Contact - Battery Jumper			